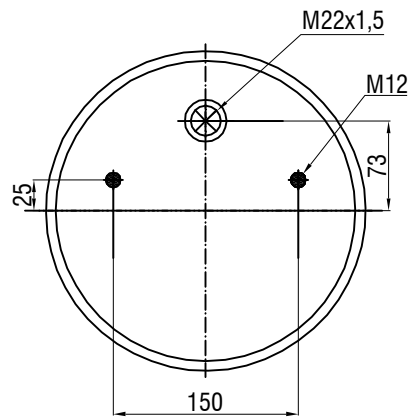


TOP VIEW



Drawings are prepared for catalogue study.

Changes					
	0	First drawing	16.04.2010		
	Issue	Changes	Date	Drawn by	Checked by Approved by
PART WEIGHT:	Do not scale this drawing	<input type="checkbox"/> Bolt/Stud <input checked="" type="checkbox"/> Combo stud <input checked="" type="checkbox"/> Air inlet <input checked="" type="checkbox"/> Threaded hole	All rights of this document are the property of AKTAS A.S. It can not be used copied, reproduced, made available to any third party in whole or part without written permission of AKTAS A.S.		
-- Kg.					
PART NAME: 31070 SERVICE ASSEMBLY (AIRTECH)		