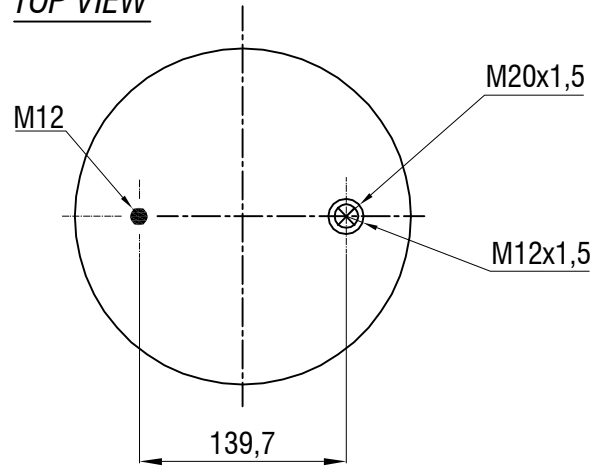
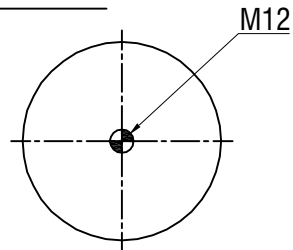


TOP VIEW



BOTTOM VIEW



Drawings are prepared for catalogue study.

| | | | | | | |
|--|---------------------------|---|--|---|---|-------------|
| Changes | | | | | | |
| | 0 | First drawing | 23.07.2003 | | | |
| | Issue | Changes | Date | Drawn by | Checked by | Approved by |
| PART WEIGHT: 4,62 Kg. | Do not scale this drawing | <input checked="" type="checkbox"/> Bolt/Stud | <input checked="" type="checkbox"/> Combo stud | <input checked="" type="checkbox"/> Air inlet | <input checked="" type="checkbox"/> Threaded hole | |
| <small>All rights of this document are the property of AKTAS A.S. It can not be used copied, reproduced, made available to any third party in whole or part without written permission of AKTAS A.S.</small> | | | | | ORDER NO: 120422 | |
| PART NAME: 34156-02 SERVICE ASSEMBLY (AIRTECH) | | | | | | |