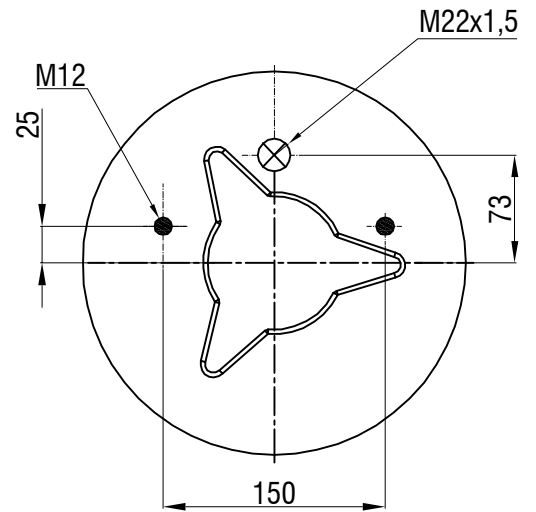
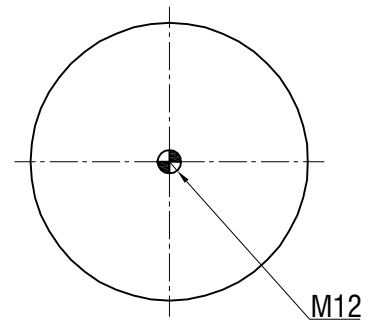


TOP VIEW



BOTTOM VIEW



Drawings are prepared for catalogue study.

Changes	a	Plate was changed	18.10.2010			
	0	First drawing	22.07.2003			
	Issue	Changes	Date	Drawn by	Checked by	Approved by
PART WEIGHT:	Do not scale this drawing	Bolt/Stud	Combo stud	Air inlet	Threaded hole	
5,3 Kg.	<small>All rights of this document are the property of AKTAS A.S. It can not be used copied, reproduced, made available to any third party in whole or part without written permission of AKTAS A.S.</small>				ORDER NO: 121642	
PART NAME: 34157 SERVICE ASSEMBLY (AIRTECH)						