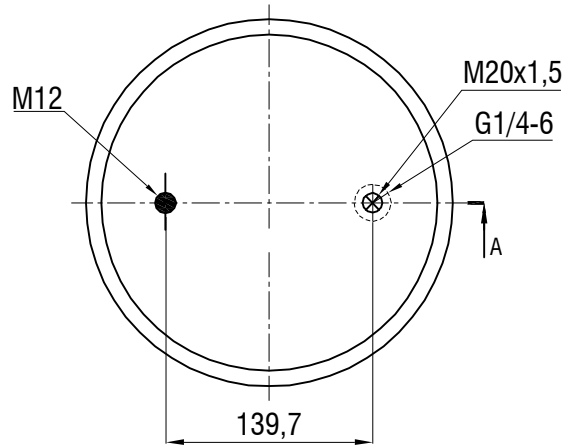
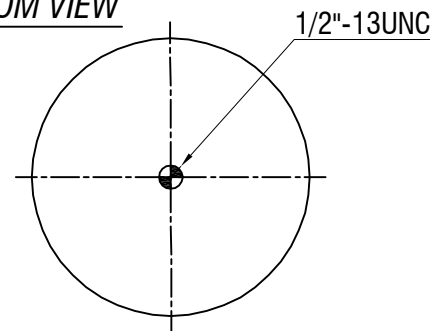


TOP VIEW



BOTTOM VIEW



Drawings are prepared for catalogue study.

Changes	a	Plate thickness was changed.	07.09.2009			
	0	First drawing	18.08.2009			
	Issue	Changes	Date	Drawn by	Checked by	Approved by
PART WEIGHT: 5,241 Kg.	Do not scale this drawing	<input checked="" type="checkbox"/> Bolt/Stud <input checked="" type="checkbox"/> Combo stud <input checked="" type="checkbox"/> Air inlet <input checked="" type="checkbox"/> Threaded hole	<small>All rights of this document are the property of AKTAS A.S. It can not be used copied, reproduced, made available to any third party in whole or part without written permission of AKTAS A.S.</small>			ORDER NO: 122832
PART NAME: 34159-21 P SERVICE ASSEMBLY (AIRTECH) (095.0465)					