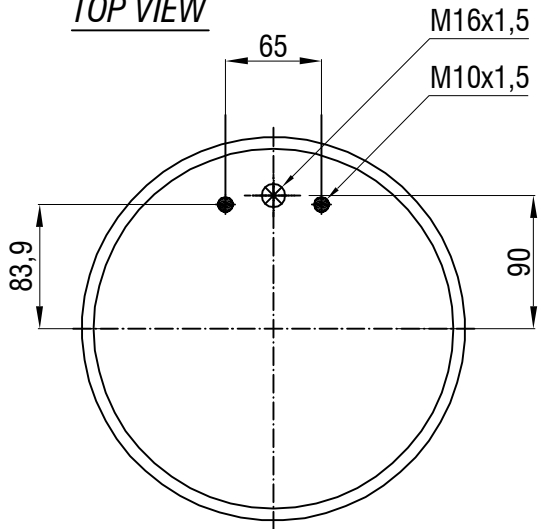


TOP VIEW



Drawings are prepared for catalogue study.

|   |                     |  |   |          |            |                 |
|---|---------------------|--|---|----------|------------|-----------------|
| Changes                                       | 0                   | First drawing  | 12.12.2012  |          |            |                 |
|   | Issue               | Changes  | Date  | Drawn by | Checked by | Approved by     |
|   | PART WEIGHT: ...Kg. |  | <input type="checkbox"/> Bolt/Stud <input checked="" type="checkbox"/> Combo stud <input checked="" type="checkbox"/> Air inlet <input checked="" type="checkbox"/> Threaded hole |          |            |                 |
| PART NAME: 36075 P SERVICE ASSEMBLY (AIRTECH) |                     | <small>All rights of this document are the property of AKTAS A.S. It can not be used copied, reproduced, made available to any third party in whole or part without written permission of AKTAS A.S.</small> |   |          |            | ORDER NO:122882 |
|   |                     |  |   |          |            |                 |