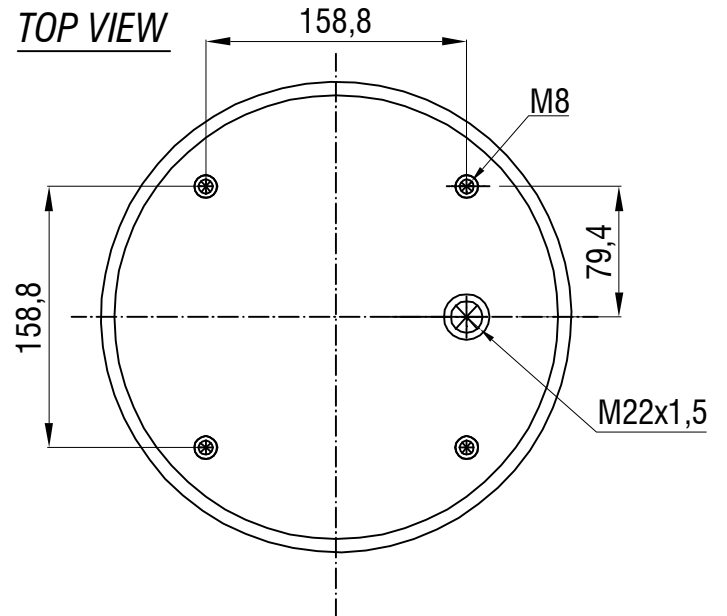
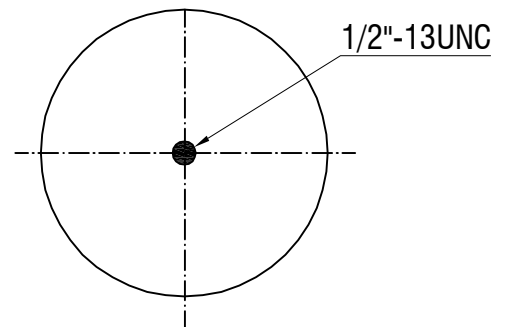


TOP VIEW



BOTTOM VIEW



Drawings are prepared for catalogue study.

Changes						
	a	Plate thickness was changed	07.09.2009			
0	First drawing	18.08.2009				
Issue	Changes	Date	Drawn by	Checked by	Approved by	
PART WEIGHT: 4,878 Kg.	Do not scale this drawing	Bolt/Stud	Combo stud	Air inlet	Threaded hole	
<small>All rights of this document are the property of AKTAS A.S. It can not be used copied, reproduced, made available to any third party in whole or part without written permission of AKTAS A.S.</small>				ORDER NO: 122732		
PART NAME: 3813-12 P SERVICE ASSEMBLY (AIRTECH)(095.344)						