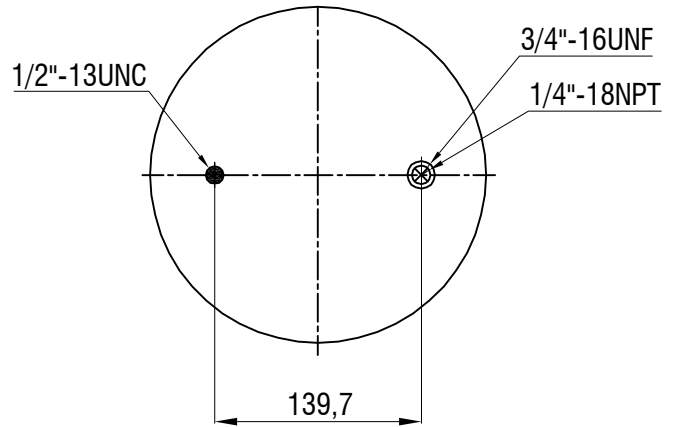
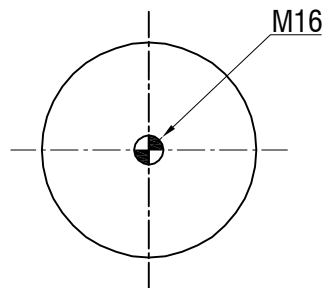


TOP VIEW



BOTTOM VIEW



Drawings are prepared for catalogue study.

Changes	0	First drawing	12.12.2012			
	Issue	Changes	Date	Drawn by	Checked by	Approved by
	<p>Do not scale this drawing</p> <p> <input type="checkbox"/> Bolt/Stud <input checked="" type="checkbox"/> Combo stud <input type="checkbox"/> Air inlet <input checked="" type="checkbox"/> Threaded hole </p> <p><small>All rights of this document are the property of AKTAS A.S. It can not be used copied, reproduced, made available to any third party in whole or part without written permission of AKTAS A.S.</small></p>					
PART WEIGHT: ...Kg.						ORDER NO:122322
PART NAME: 39039 P SERVICE ASSEMBLY (AIRTECH)						