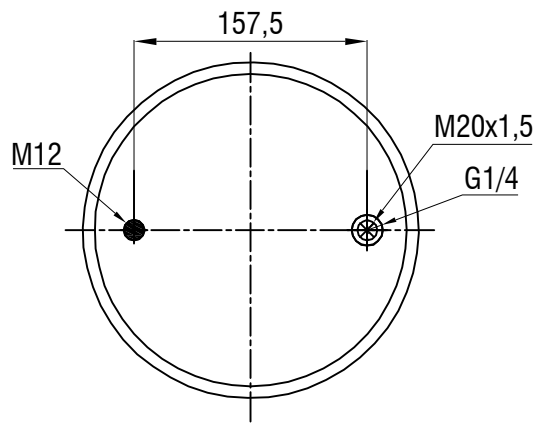
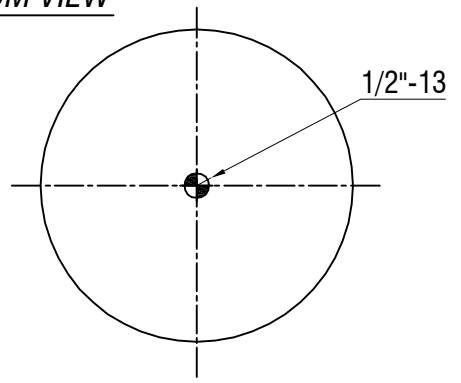


TOP VIEW



BOTTOM VIEW



Changes	0	First drawing	30.09.2009			
	Issue	Changes	Date	Drawn by	Checked by	Approved by
	PART WEIGHT: 0 Kg.	Do not scale this drawing	<input checked="" type="checkbox"/> Bolt/Stud	<input checked="" type="checkbox"/> Combo stud	<input checked="" type="checkbox"/> Air inlet	<input checked="" type="checkbox"/> Threaded hole
All rights of this document are the property of AKTAS A.S. It can not be used copied, reproduced, made available to any third party in whole or part without written permission of AKTAS A.S.					ORDER NO: 123482	
PART NAME: 39321-01 P SERVICE ASSEMBLY (095.0396)					