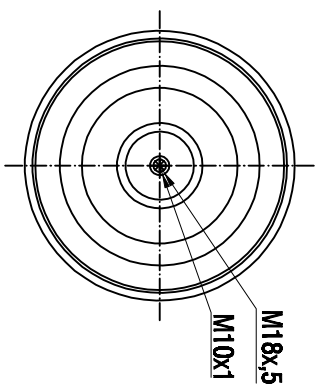
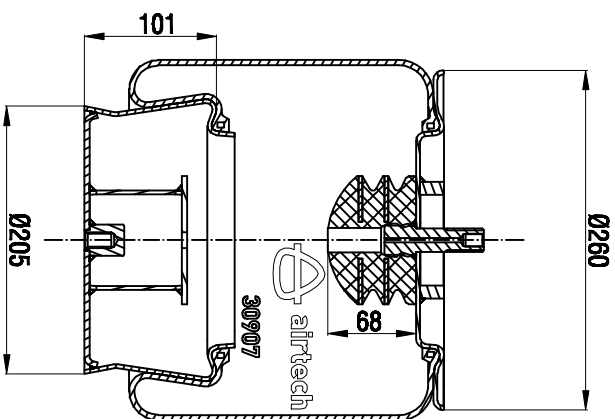
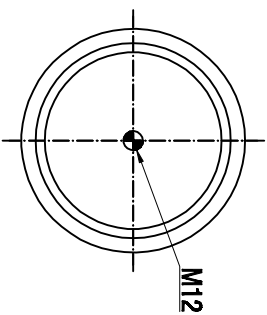


TOP VIEW



BOTTOM VIEW



Drawings are prepared for catalogue study.

1	0	First drawing	12.12.2012			
2	0	Changes		Drawn by	Checked by	Approved by
3	0	Do not scale this drawing		Circle read	Air lock	Thru-hole hole
4	0	Do not scale this drawing				
PART NAME			30907 K COMPLETE (AIRTECH)			ORDER NO: 135242
WEIGHT:						
No.						

