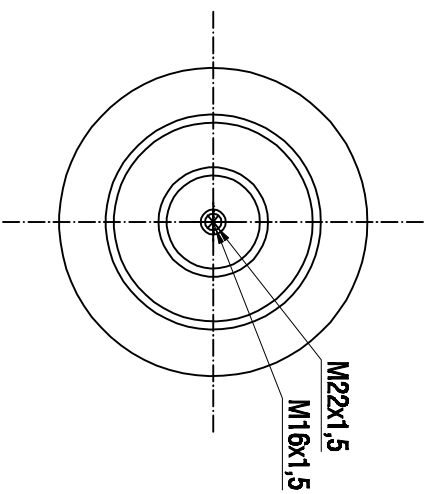
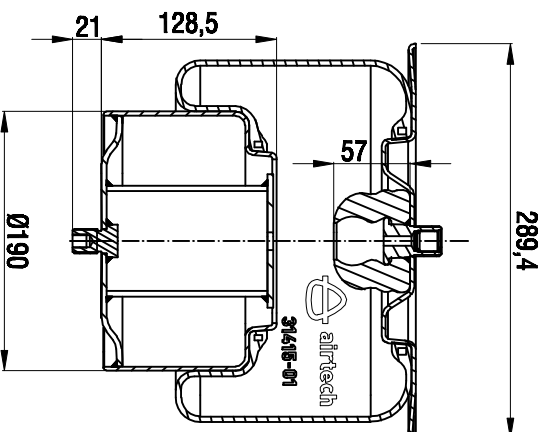
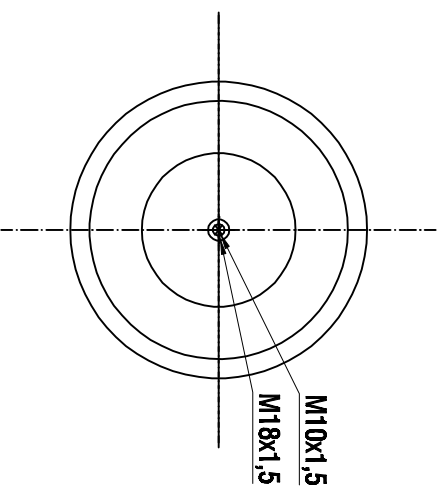


**TOP VIEW**



**BOTTOM VIEW**



Drawings are prepared for catalogue study.

Issue		Date		Checked by		Approved by	
0		12.12.2012					
Change		Drawn by		Checked by		Approved by	
Do not edit this drawing		Date/Time		Air tech		Threaded hole	
WEIGHT: ...kg		<input type="checkbox"/> Bad/Good <input checked="" type="checkbox"/> Correct detail <input type="checkbox"/> Air tech <input checked="" type="checkbox"/> Threaded hole		<small>All rights in this document are the property of AIRTECH S.A. No part of this document may be reproduced, stored in a retrieval system or transmitted in any form or by any means, electronic, mechanical, photocopying, recording, or by any information storage and retrieval system, without written permission of AIRTECH S.A.</small>		<b>ORDER NO.:135792</b>	
PART NAME: 31415-01 K COMPLETE (AIRTECH)				