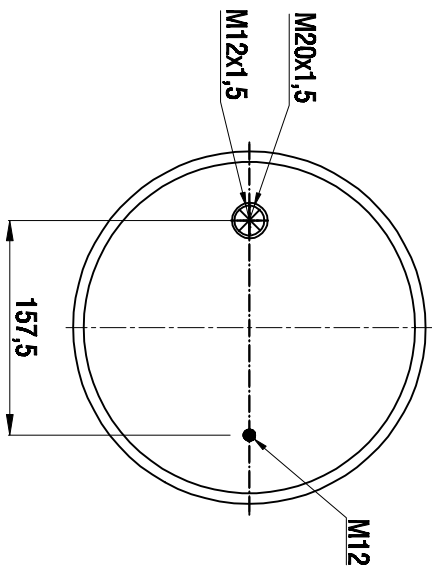
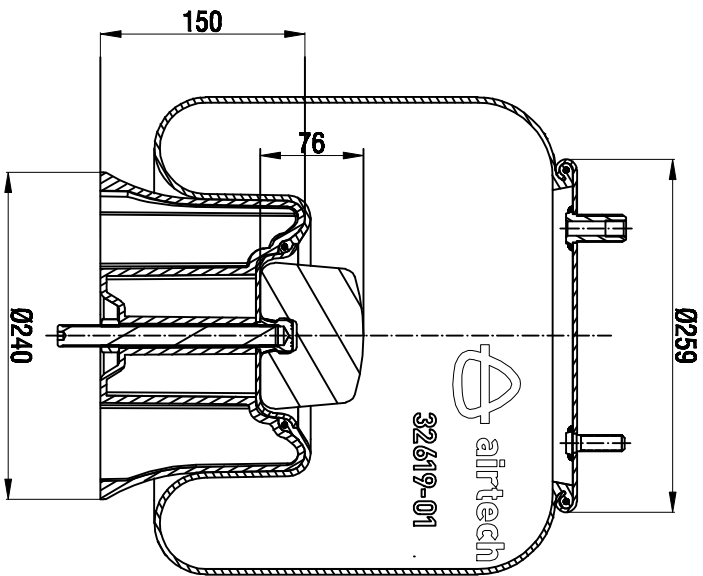
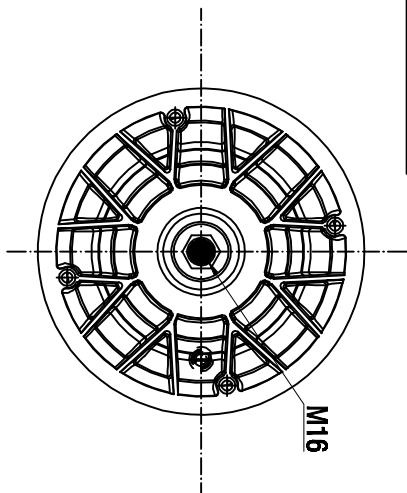


TOP VIEW



BOTTOM VIEW



Drawings are prepared for catalogue study.

0	Price drawing	12.12.2012			
1	Changes				
2	Drawn by				
3	Checked by				
4	Approved by				
All rights of this document are the property of AIRTECH S.p.A. All other rights and registered trademarks remain the property of their respective owners.					
AIRTECH S.p.A. - Via S. Felice 10 - 37030 S. Felice del Bianco (Verona) - Italy					
PART NAME: 32619-01 KPP COMPLETE (AIRTECH)			ORDER NO: 137442		
akas			akas		