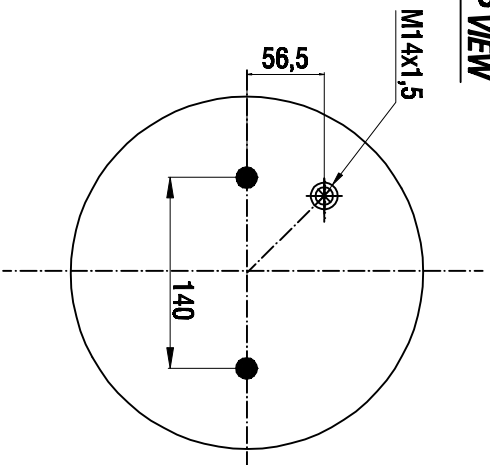
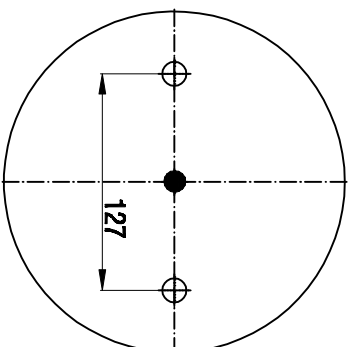


TOP VIEW



BOTTOM VIEW



Drawings are prepared for catalogue study.

| | | | | | |
|--------------|--|---|--|--|--|
| 1 | | | | | |
| 0 | | First drawing | | 12.12.2012 | |
| 3 Issues | | Changes | | Date | |
| PART WEIGHT: | | Do not scale this drawing | | All rights of this document are the property of AIRTECH. It is forbidden to reproduce or use it without the prior written permission of AIRTECH. | |
| ...kg | | <input checked="" type="checkbox"/> Solid <input type="checkbox"/> Hidden <input type="checkbox"/> Hidden <input type="checkbox"/> Air risk <input checked="" type="checkbox"/> Threaded hole | | <input type="checkbox"/> Checked by <input type="checkbox"/> Approved by <input checked="" type="checkbox"/> Threaded hole | |
| PART NAME: | | 33-0305 K COMPLETE (AIRTECH) | | | |
| | | ORDER NO.:134702 | | | |
| | | | | | |