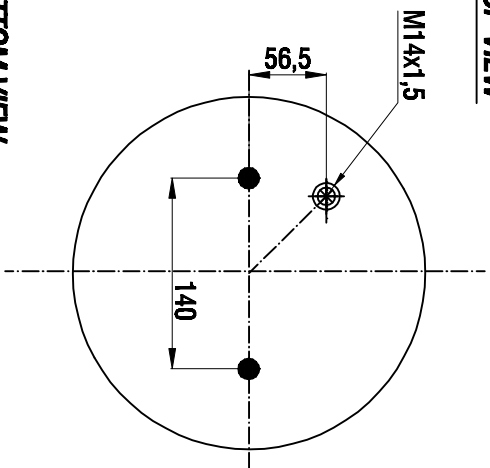
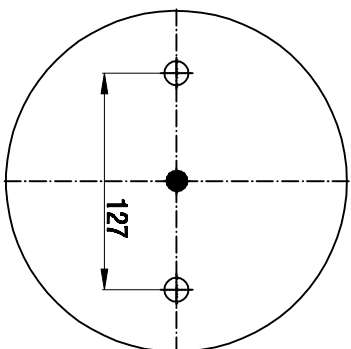


TOP VIEW



BOTTOM VIEW



Drawings are prepared for catalogue study.

0	First drawing	12.12.2012				
5	Changes					
<small>All rights of this document are the property of AIRTECH. All trademarks and registered trademarks used herein belong to their respective owners. Where nothing is provided, IKTERRA S.A.</small>						
PART NAME:	33-0307 K COMPLETE (AIRTECH)	ORDER NO:134682				
WEIGHT:	...kg					