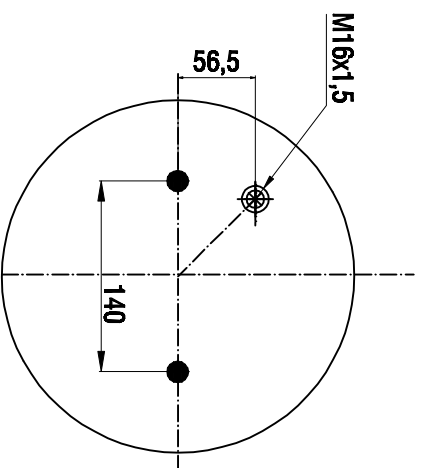
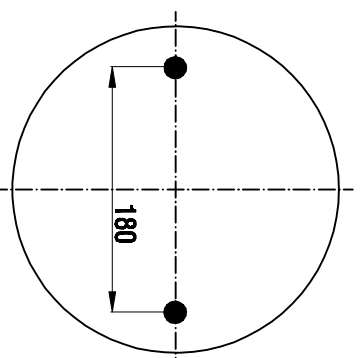


TOP VIEW



BOTTOM VIEW



Drawings are prepared for catalogue study.

↑							
0	First drawing	12.12.2012					
1	Changes						
Do not make this drawing	<input checked="" type="checkbox"/> Deleted <input type="checkbox"/> Change size <input type="checkbox"/> Air hole <input type="checkbox"/> Threaded hole	<input checked="" type="checkbox"/> Checked <input type="checkbox"/> Approved	<small>All data in this document are the property of AIRTECH. In order to use this information, you must obtain the permission of AIRTECH.</small>				
kg	PART NAME 331237 K COMPLETE (AIRTECH)						ORDER NO.: 136702