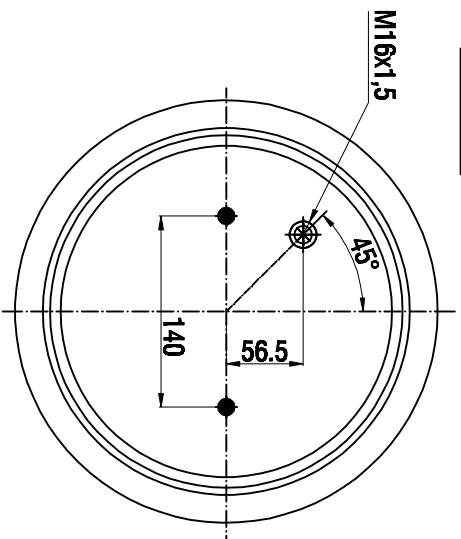
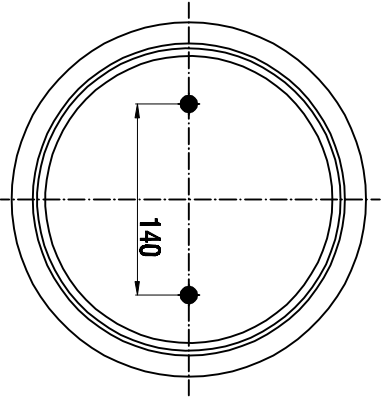


**TOP VIEW**



**BOTTOM VIEW**



Drawings are prepared for catalogue study.

0		First drawing	12.12.2012			
1		Changes	Date	Drawn by	Checked by	Approved by
PART WEIGHT:	Do not scale	Solidfill	⊗	Camber steel	⊗	Air inlet
	Data drawing					
<small>All rights of this drawing are the property of AIRTECH. Any use of this drawing without the written permission of AIRTECH is strictly prohibited by law.</small>						
PART NAME		331238 K COMPLETE (AIRTECH)				ORDER NO:136712