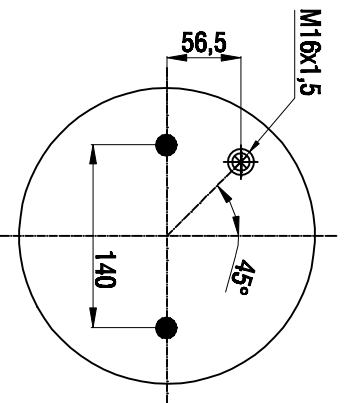
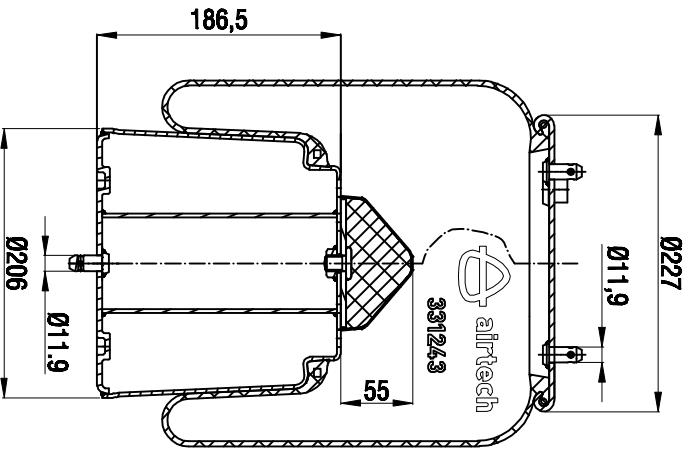
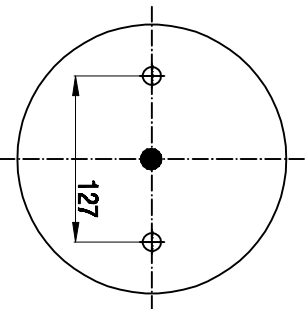


TOP VIEW



BOTTOM VIEW



Drawings are prepared for catalogue study.

1							
0	First drawing	12.12.2012					
Issue	Change	Date	Drawn by	Checked by	Approved by		
Do not read this drawing	<input checked="" type="checkbox"/> SolidWorks	<input checked="" type="checkbox"/> Oracle steel	<input checked="" type="checkbox"/> Air-tek	<input checked="" type="checkbox"/> Trenchard riss			
<small>At sign of this drawing and the project of AIRTECH, the user and original manufacturer must be notified by e-mail or by post when other products are used.</small>						ORDER NO.: 136762	
PART NAME: 331243 K COMPLETE (AIRTECH)							
WEIGHT: ...kg							