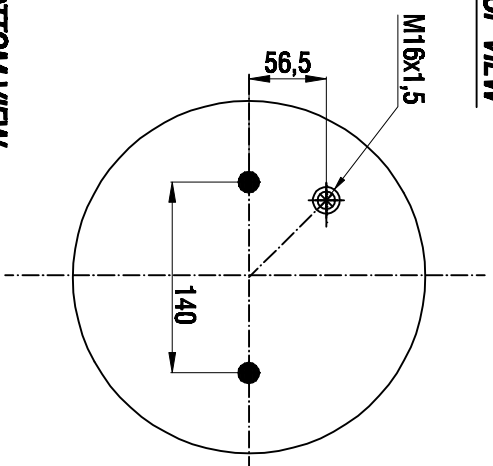
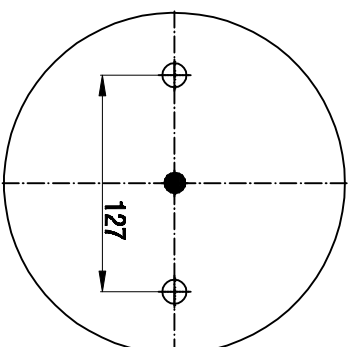


**TOP VIEW**



**BOTTOM VIEW**



Drawings are prepared for catalogue study.

№	Changes	Date	Drawn by	Checked by	Approved by
3	Air Inlet was changed.	23.12.2009			
0	First drawing	30.06.2009			

<b>Do not mark this drawing</b>	<input checked="" type="checkbox"/> Draft/Good	<input checked="" type="checkbox"/> Control ok	<input checked="" type="checkbox"/> Air Inlet	<input checked="" type="checkbox"/> Threaded Inlet
---------------------------------	--	--	---	--

All rights of this document are the property of AKTAS A.S. & its subsidiaries and related companies. No parts of this document may be reproduced without written permission of AKTAS A.S.

<b>PART NAME:</b> 331246 K COMPLETE (AIRTECH)	<b>ORDER NO.:</b> 136772
<b>WEIGHT:</b> 7,200 kg.	