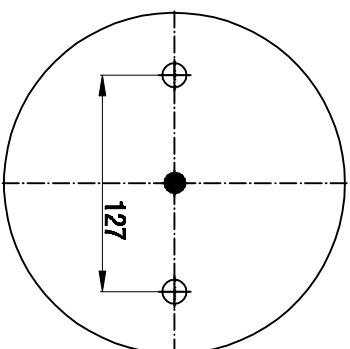


BOTTOM VIEW



Drawings are prepared for catalogue study.

1									
0	First drawing	12.12.2012							
1	Changes		Drawn by	Checked by	Agreed by				
2	Do not make this drawing		Backfeed	Circle steel	Air link	Threaded hole			
<small>All rights of this document are the property of AIRTECH. Any use, reproduction, distribution, modification, copying, or other use without written permission is prohibited.</small>									
PART NAME 331247 K COMPLETE (AIRTECH)								ORDER NO: 136782	