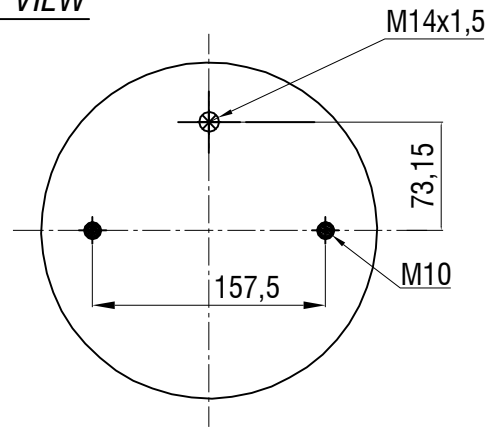
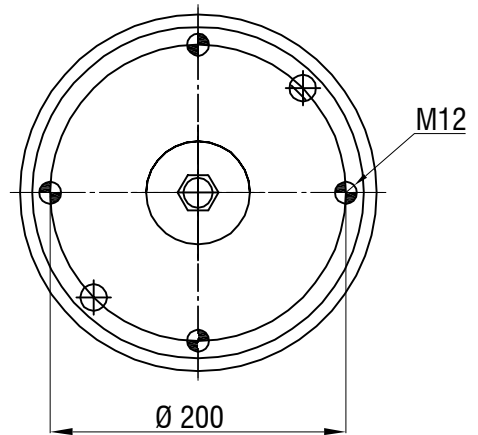


TOP VIEW



BOTTOM VIEW



Drawings are prepared for catalogue study.

Changes	0	First drawing	24.07.2003			
	Issue	Changes	Date	Drawn by	Checked by	Approved by
	PART WEIGHT: 11,560 Kg.	Do not scale this drawing	<input checked="" type="checkbox"/> Bolt/Stud	<input checked="" type="checkbox"/> Combo stud	<input checked="" type="checkbox"/> Air inlet	<input checked="" type="checkbox"/> Threaded hole
PART NAME: 34154-06 K COMPLETE (AIRTECH)						