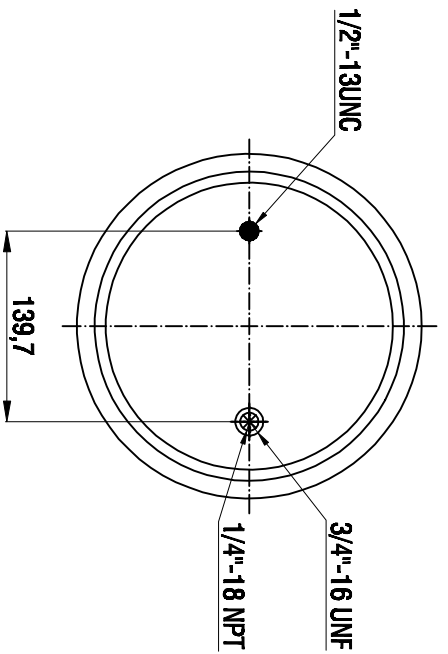
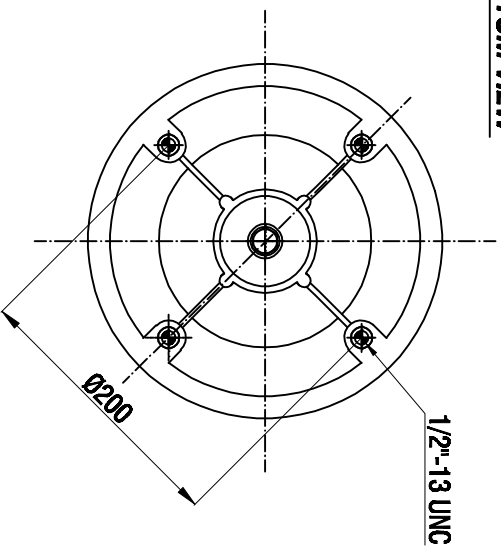


TOP VIEW



BOTTOM VIEW



Drawings are prepared for catalogue study.

1									
0	First drawing	12.12.2012							
1	Changes	Date	Drawn by	Checked by	Approved by				
1	Do not make this drawing								
1									
All rights of this document are the property of AIRTECH S.A. No part of this document may be reproduced or transmitted in any form or by any means, electronic, mechanical, photocopying, recording, or by any information storage and retrieval system, without the prior written permission of AIRTECH S.A.									
PART NAME:		34159-07 K ALU COMPLETE (AIRTECH)				ORDER NO:135502			