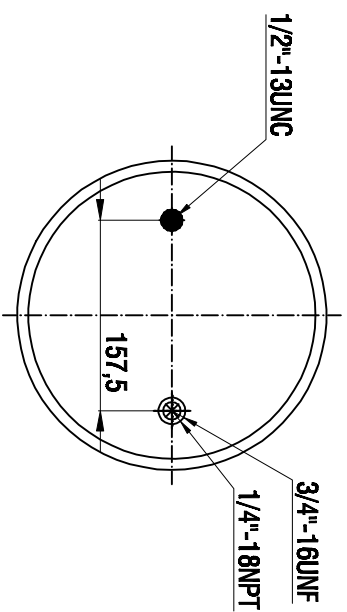
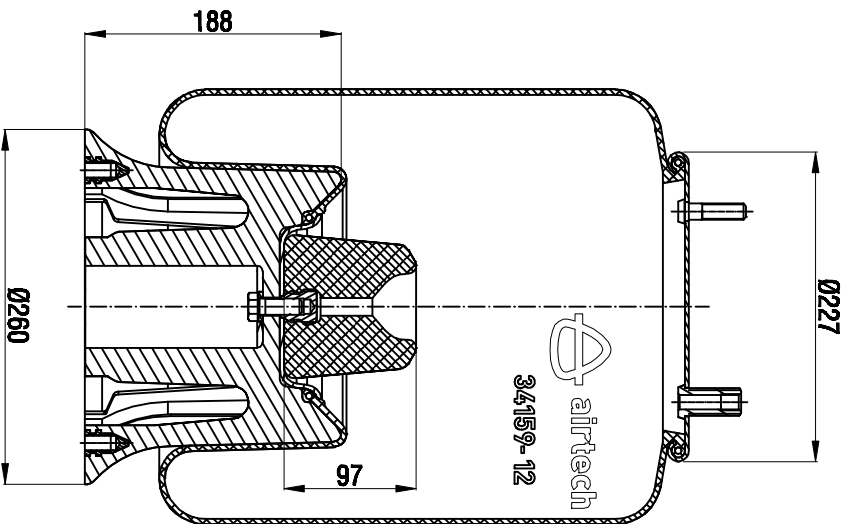
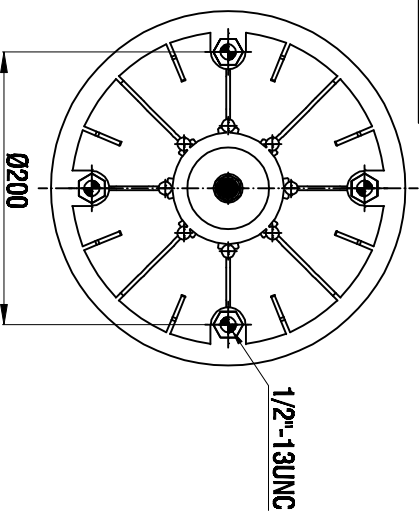


**TOP VIEW**



**BOTTOM VIEW**



Drawings are prepared for catalogue study.

REV	0	First drawing	12.12.2012				
REASON	Change		Date	Drawn by	Checked by	Approved by	
PART WEIGHT:	The net weight of the drawing	Subtotal	Circle steel	Air tank	Threaded hole		
<small>in order of the demand in the part of AIRTECH, it is made and used according to the standards and specifications of the manufacturer, which makes possible AIRTECH.</small>							ORDER NO:135302
PART NAME 34159-12 K COMPLETE (AIRTECH)							