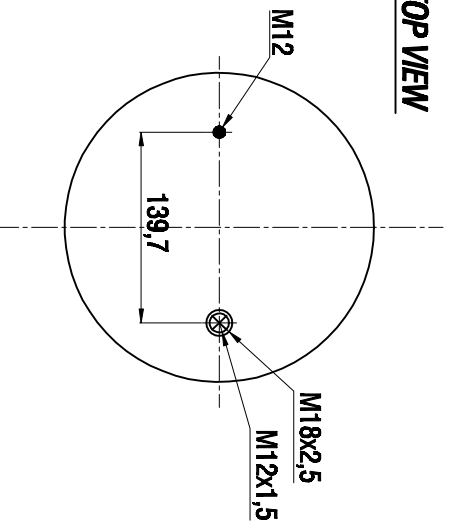
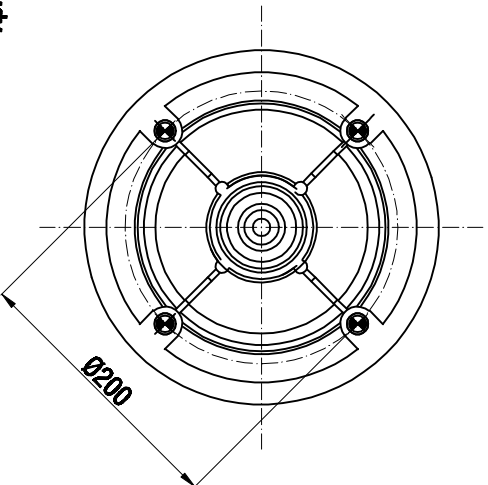


TOP VIEW



BOTTOM VIEW



Drawings are prepared for catalogue study.

1									
0	First drawing	12.12.2012							
5	Changes								
PAINT WEIGHT:		Do not make this drawing	<input checked="" type="checkbox"/> Drafted	<input checked="" type="checkbox"/> Checked sheet	<input checked="" type="checkbox"/> Air link	<input checked="" type="checkbox"/> Threaded base			
<small>All rights reserved on the product and/or its trademark and registered and/or pending trademarks in other countries.</small>							ORDER NO: 136362		
PART NAME: 34159-15 K COMPLETE (AIRTECH) (095.0294)									