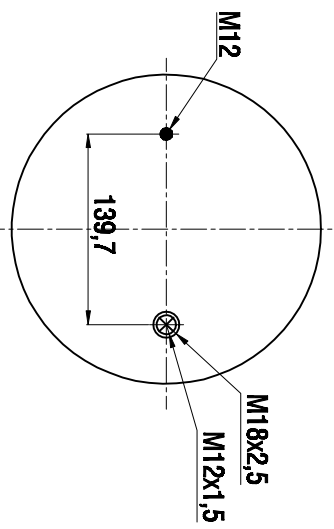
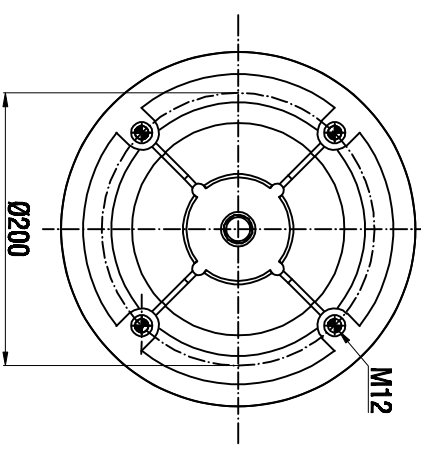


**TOP VIEW**



**BOTTOM VIEW**



Drawings are prepared for catalogue study.

Revision		Date		Drawn by		Checked by		Approved by		
0	First drawing	12.12.2012								
PART		Changes		Date		Drawn by		Checked by		
Do not create this drawing		● Deleted		⊗ Cancelled		⊗ Air intake		⊕ Threaded hole		
<small>All rights of this document are the property of AKTAS. Any reproduction, distribution, or use without the written permission of AKTAS is strictly prohibited.</small>										
PART NAME		34159-17 K ALU COMPLETE (AIRTECH)						ORDER NO:134802		
WEIGHT:										
..Kg										