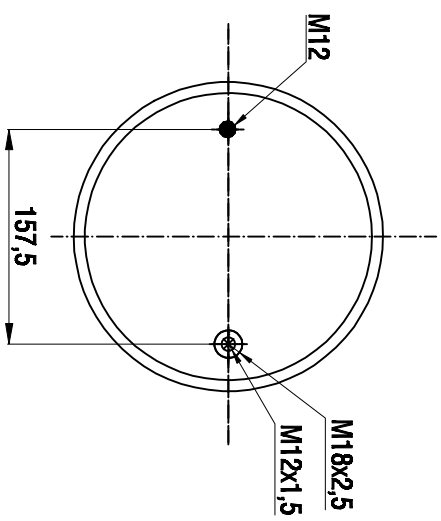
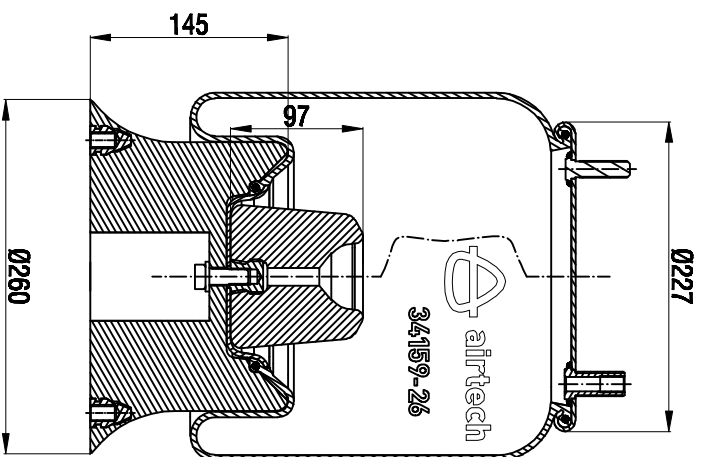
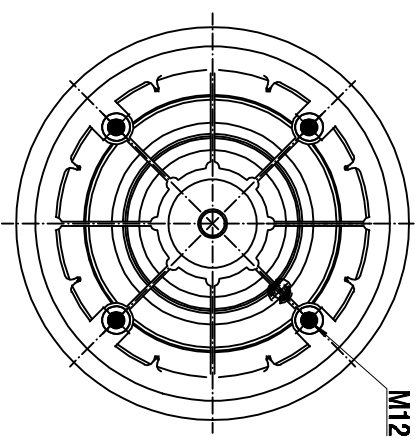


TOP VIEW



BOTTOM VIEW



Drawings are prepared for catalogue study.

Revision		Date		Drawn by		Checked by		Approved by	
0	First drawing	12.12.2012							
PART		Changes		Date		Drawn by		Checked by	
34159-26		Do not make this drawing							
MATERIAL:		Material		Condition		Air tech		Threaded hole	
No.									
PART NAME		34159-26 KPP COMPLETE (AIRTECH)						ORDER NO:136162	