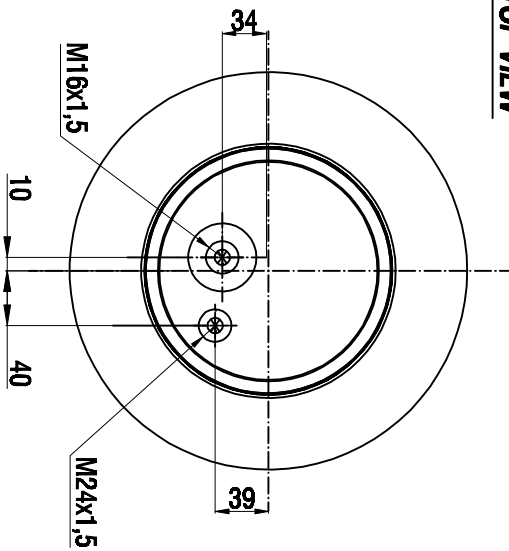
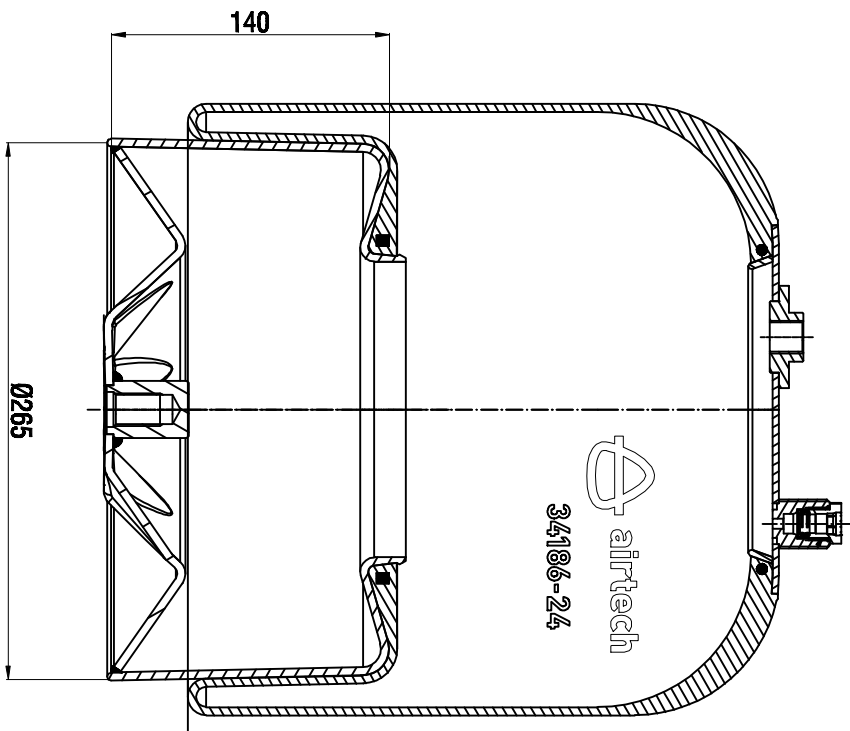
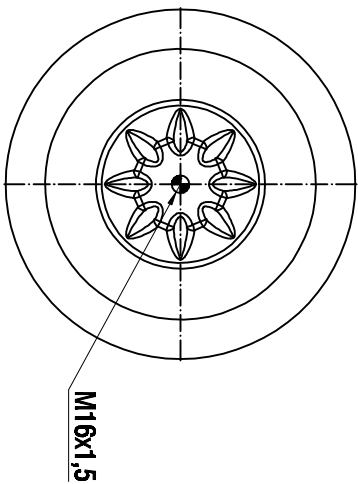


**TOP VIEW**



**BOTTOM VIEW**



Drawings are prepared for catalogue study.

<b>REVISIONS</b> 0 Fix drawing 12.12.2012 Drawn by Checked by Approved by		Date Drawn by Checked by Approved by
<b>PAINT</b> Do not send this drawing	<input checked="" type="checkbox"/> Body/Steel <input checked="" type="checkbox"/> Combo steel <input checked="" type="checkbox"/> Air lock <input checked="" type="checkbox"/> Threaded hole	ORDER NO.: 135132
<b>VERSION:</b> -1/0g		PART NAME: 34186-24 K COMPLETE (AIRTECH)
at the of the drawing and the sample of the material and specify the grade and the number of the part which will be produced in the part.		