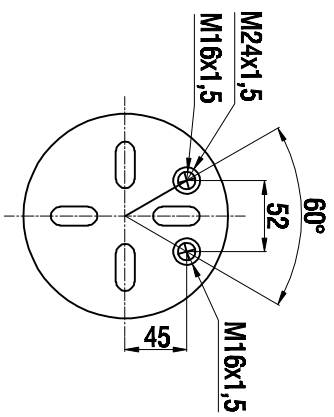
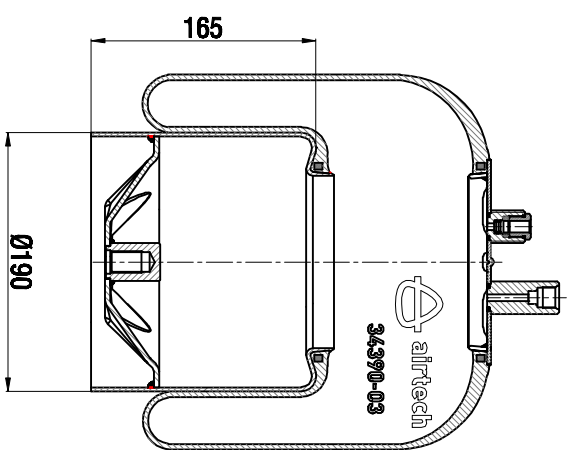
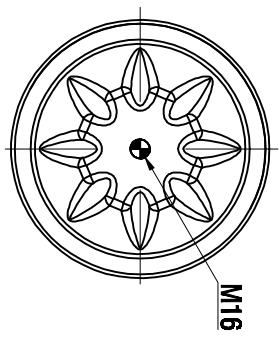


**TOP VIEW**



**BOTTOM VIEW**



Drawings are prepared for catalogue study.

1							
Rev	0	First drawing	12.12.2012				
Issue		Changes	Date	Drawn by	Checked by	Approved by	
PART WEIGHT: ...kg	Do not modify this drawing	ISO 9001	Conformité	AP-1000	Thermostat		
	<small>In case of the demand on the part of the customer, the part of the drawing is not valid for the production of the part. The part is produced in the factory.</small>						
PART NAME		34390-03 K COMPLETE (AIRTECH)					
						ORDER NO:134842	