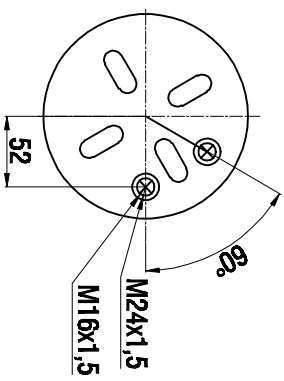
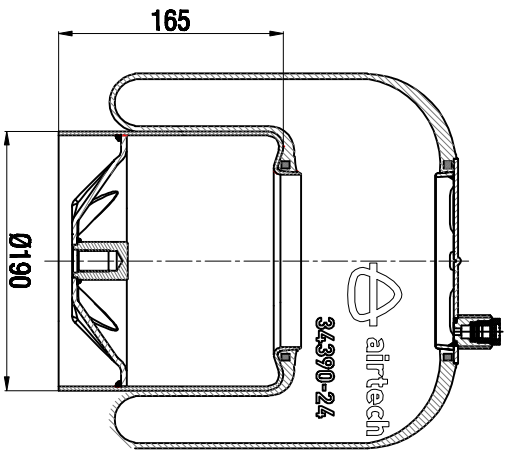
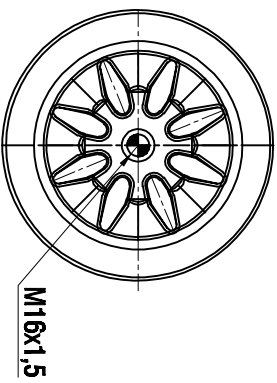


TOP VIEW



BOTTOM VIEW



Drawings are prepared for catalogue study.

0		First drawing	12.12.2012			
1		Changes	Date	Drawn by	Checked by	Approved by
PART		Do not scale	<input checked="" type="checkbox"/> Red/Blue	<input checked="" type="checkbox"/> Circle steel	<input checked="" type="checkbox"/> Air lock	<input checked="" type="checkbox"/> Threaded hole
WEIGHT:		14g	<small>All rights of this document are the property of AIRTECH S.p.A. and its subsidiaries and related companies, which are hereby being disclosed in this report. Where neither provided at AIRTECH S.p.A.</small>			
PART NAME:		34390-24 K COMPLETE (AIRTECH)				ORDER NO:135672