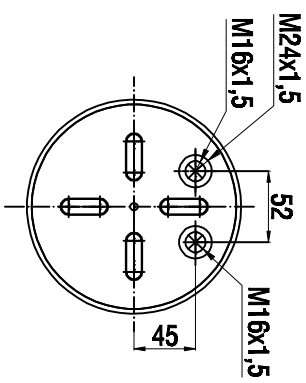
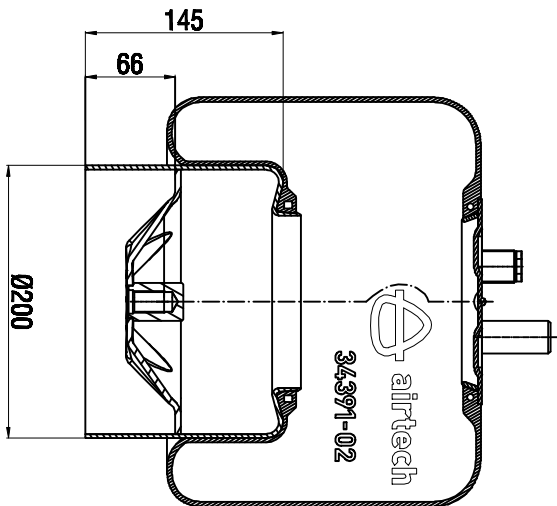
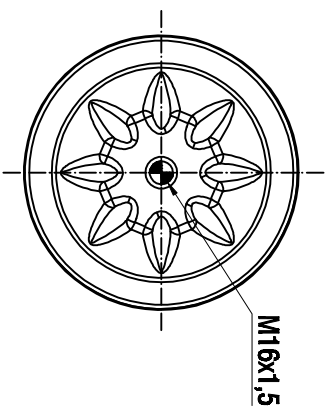


TOP VIEW



BOTTOM VIEW



Drawings are prepared for catalogue study.

№	0	First drawing	12.12.2012				
Author	Changes	Date	Drawn by	Checked by	Approved by		
PART WEIGHT:	Do not modify this drawing	Initial	⊗ Cermet steel	⊗ Air line	⊖ Threaded hole		
<small>All signs of this document are the property of AIRTECH S.A. trademarks and registered trademarks under various names and in various parts. © AIRTECH S.A. 2012. All rights reserved.</small>							ORDER NO:137042
PART NAME: 34391-02 K COMPLETE (AIRTECH)							