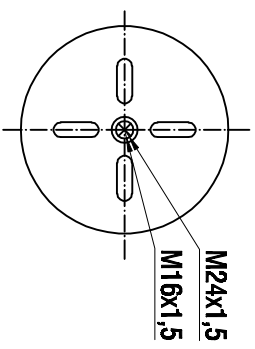
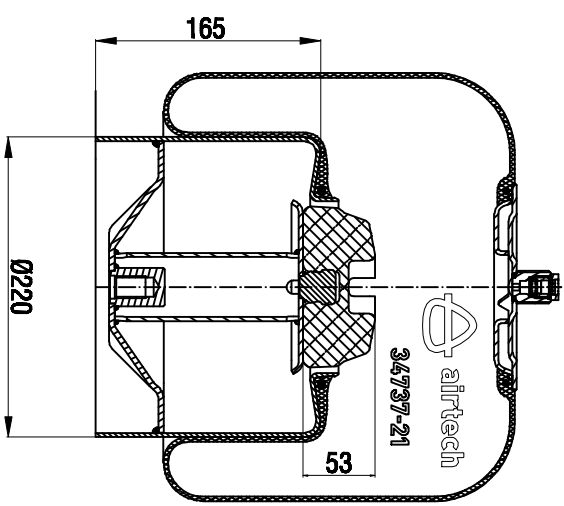
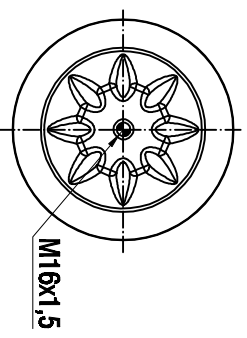


TOP VIEW



BOTTOM VIEW



Drawings are prepared for catalogue study.

Revision	0	First drawing	12.12.2012				
Issue	Changes	Date	Drawn by	Checked by	Approved by		
PART WEIGHT: -Kg	Do not scale this drawing	<input checked="" type="checkbox"/> Backfill <input checked="" type="checkbox"/> Corroble steel <input checked="" type="checkbox"/> Air lock <input checked="" type="checkbox"/> Threaded ribs	<small>All rights of use reserved for the property of AIRTECH S.A. from which and related companies derived by engineering and industrial value which is protected by PATENT.</small>				
	PART NAME: 34737-21 K COMPLETE (AIRTECH)		ORDER NO: 135642				