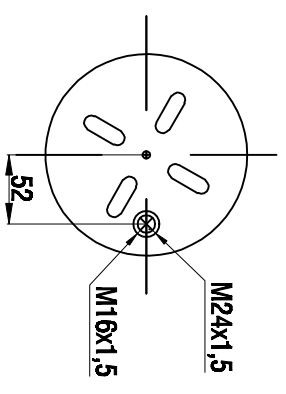
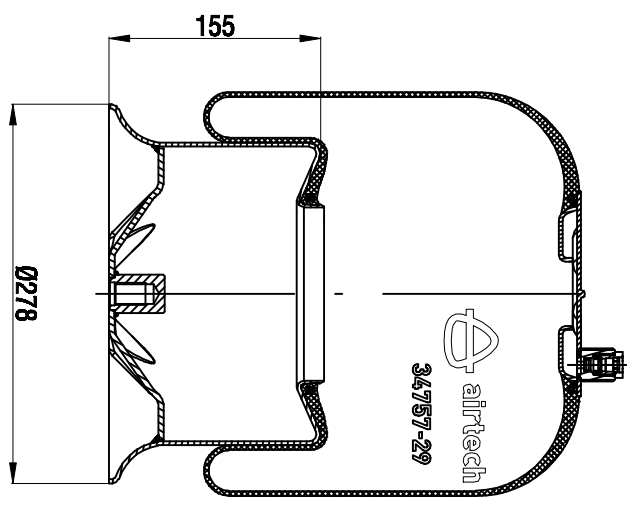
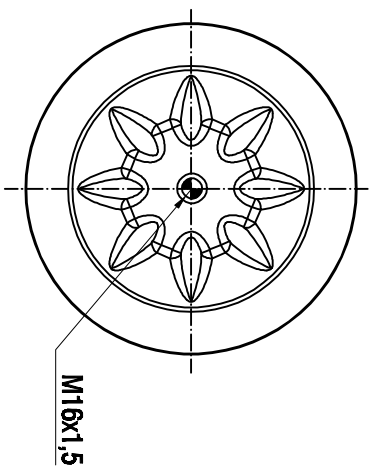


TOP VIEW



BOTTOM VIEW



Drawings are prepared for catalogue study.

1					
0		First drawing		12.12.2012	
0		Changes		Date	
PART WEIGHT:		Do not create this drawing		Checked by	
...Kg		Solid/fin		Approved by	
		⊗ Combo steel		⊗ Air-ink	
		⊕ Threaded hole		⊕ Threaded hole	
		All rights of this document are by property of AKTAS Enerji ve Enerji Sistemleri A.Ş. and all rights reserved. No part of this document may be reproduced without the prior written permission of AKTAS Enerji ve Enerji Sistemleri A.Ş.		ORDER NO:135682	
PART NAME		34757-29 K COMPLETE (AIRTECH)		