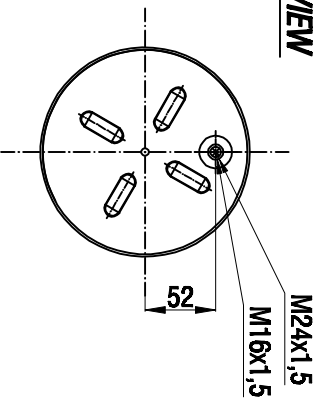
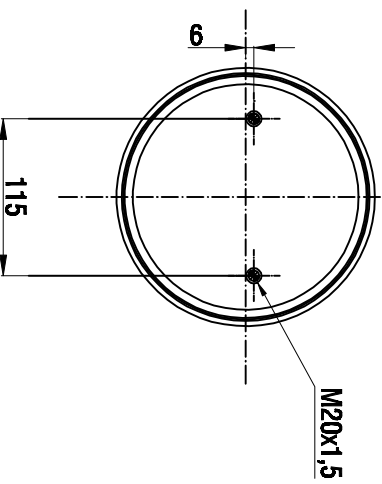


TOP VIEW



BOTTOM VIEW



Drawings are prepared for catalogue study.

Issue	0	First drawing	12.12.2012					
Changes								
Do not write title drawing	<input checked="" type="checkbox"/>	Red/Red	<input checked="" type="checkbox"/> Double steel	<input checked="" type="checkbox"/> Air lock	<input checked="" type="checkbox"/> Threaded hole			
<small>All rights reserved for the project of AIRTECH S.A. No other and indirect reproduction is permitted without the prior written consent of AIRTECH S.A.</small>							ORDER NO.:135252	
PART NAME:		34786-21 K COMPLETE (AIRTECH)						