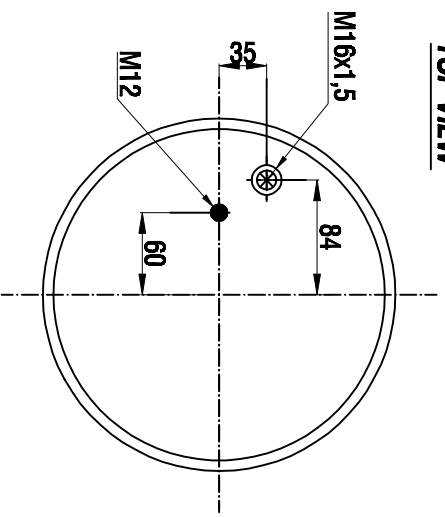
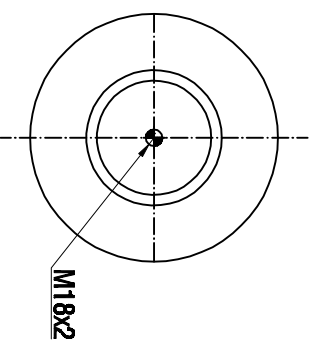


TOP VIEW



BOTTOM VIEW



Drawings are prepared for catalogue study.

↑					
0	First drawing	12.12.2012			
1	Change		Drawn by	Checked by	Approved by
PART VERSION:		Do not edit this drawing	● Solid	⊗ Cavity steel	⊗ Air tech
.../16		<small>All rights of this document are the property of AIRTECH S.A. Any use and reproduction without the explicit authorization of AIRTECH S.A. is strictly prohibited.</small>			
PART NAME		34886 K COMPLETE (AIRTECH)			ORDER NO:136582
					aktas