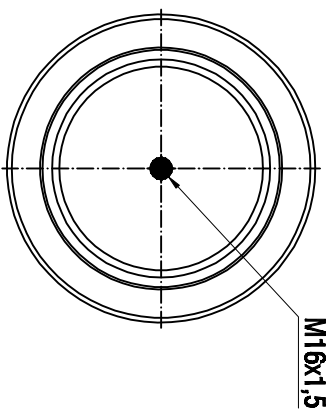



BOTTOM VIEW



Drawings are prepared for catalogue study.

<table border="1"> <tr> <td>Issue</td> <td>0</td> <td>First drawing</td> <td>12.12.2012</td> <td></td> <td></td> <td></td> <td></td> </tr> <tr> <td>Changes</td> <td></td> <td></td> <td></td> <td></td> <td></td> <td></td> <td></td> </tr> </table>		Issue	0	First drawing	12.12.2012					Changes								<table border="1"> <tr> <td>Do not send this drawing</td> <td> <input type="radio"/> </td> <td> <input checked="" type="radio"/> </td> <td> <input type="radio"/> </td> <td> <input type="radio"/> </td> <td> <input type="radio"/> </td> <td> <input type="radio"/> </td> <td> <input type="radio"/> </td> </tr> </table>		Do not send this drawing	<input type="radio"/>	<input checked="" type="radio"/>	<input type="radio"/>	<input type="radio"/>	<input type="radio"/>	<input type="radio"/>	<input type="radio"/>
Issue	0	First drawing	12.12.2012																								
Changes																											
Do not send this drawing	<input type="radio"/>	<input checked="" type="radio"/>	<input type="radio"/>	<input type="radio"/>	<input type="radio"/>	<input type="radio"/>	<input type="radio"/>																				
<table border="1"> <tr> <td>PAINT</td> <td>Do not send this drawing</td> <td> <input checked="" type="radio"/> </td> <td> <input type="radio"/> </td> <td> <input type="radio"/> </td> <td> <input type="radio"/> </td> <td> <input type="radio"/> </td> <td> <input type="radio"/> </td> </tr> </table>		PAINT	Do not send this drawing	<input checked="" type="radio"/>	<input type="radio"/>	<input type="radio"/>	<input type="radio"/>	<input type="radio"/>	<input type="radio"/>	<table border="1"> <tr> <td>VERIFIC:</td> <td> <input checked="" type="radio"/> </td> <td> <input type="radio"/> </td> <td> <input type="radio"/> </td> <td> <input type="radio"/> </td> <td> <input type="radio"/> </td> <td> <input type="radio"/> </td> <td> <input type="radio"/> </td> </tr> </table>		VERIFIC:	<input checked="" type="radio"/>	<input type="radio"/>	<input type="radio"/>	<input type="radio"/>	<input type="radio"/>	<input type="radio"/>	<input type="radio"/>								
PAINT	Do not send this drawing	<input checked="" type="radio"/>	<input type="radio"/>	<input type="radio"/>	<input type="radio"/>	<input type="radio"/>	<input type="radio"/>																				
VERIFIC:	<input checked="" type="radio"/>	<input type="radio"/>	<input type="radio"/>	<input type="radio"/>	<input type="radio"/>	<input type="radio"/>	<input type="radio"/>																				
<table border="1"> <tr> <td>PART NAME</td> <td colspan="2">34911-01 K COMPLETE (AIRTECH)</td> <td colspan="2">ORDER NO.: 134442</td> </tr> </table>		PART NAME	34911-01 K COMPLETE (AIRTECH)		ORDER NO.: 134442																						
PART NAME	34911-01 K COMPLETE (AIRTECH)		ORDER NO.: 134442																								