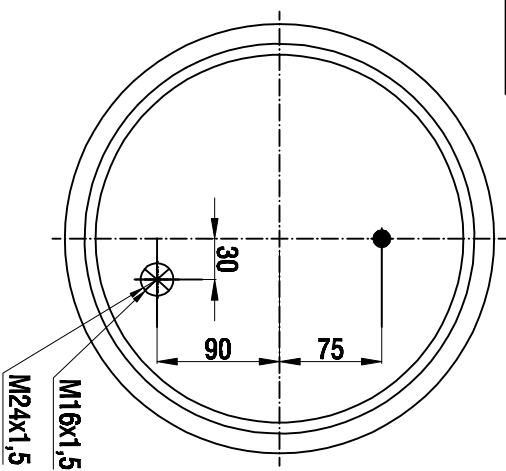
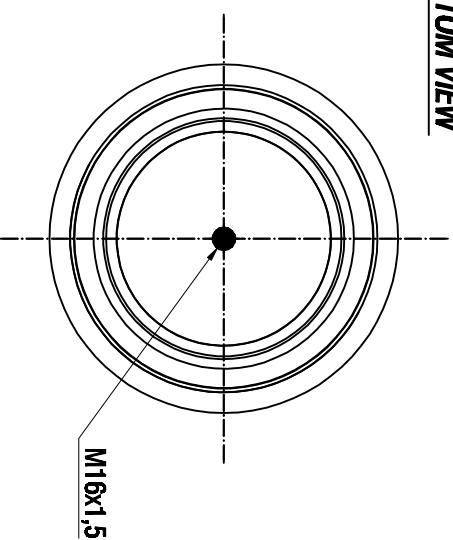


TOP VIEW



BOTTOM VIEW



Drawings are prepared for catalogue study.

№	0	First drawing	12.12.2012				
Author	Changes	Date	Drawn by	Checked by	Approved by		
Do not scribble this drawing	Do not scribble this drawing	Do not scribble this drawing	Do not scribble this drawing	Do not scribble this drawing	Do not scribble this drawing	Do not scribble this drawing	Do not scribble this drawing
All rights of this document are the property of AIRTECH S.A. Reserved. and equal responsibility is assumed by the user for any use of the data. without the permission of AIRTECH S.A.							ORDER NO.: 135912
PART NAME: 34912-10 K COMPLETE (AIRTECH)							