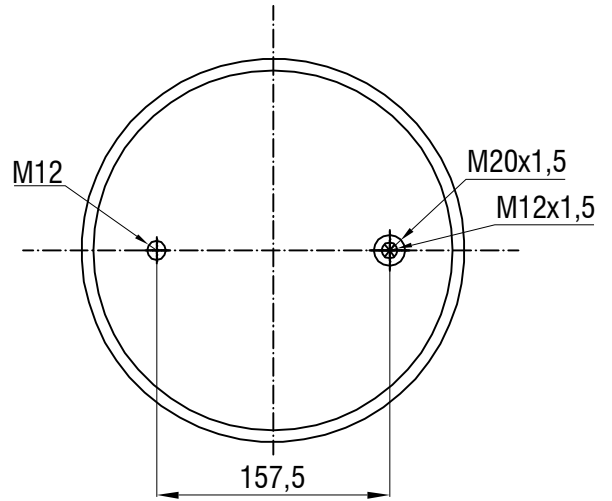
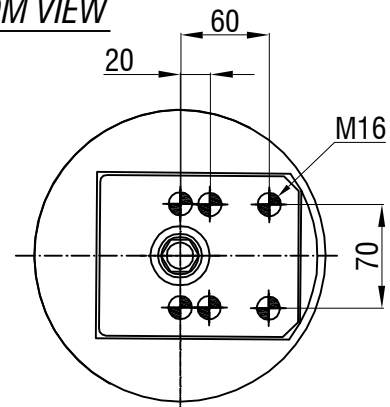


TOP VIEW



BOTTOM VIEW



Drawings are prepared for catalogue study.

Changes						
	a	Piston was changed	07.12.2010			
0	First drawing	30.01.2009				
Issue	Changes	Date	Drawn by	Checked by	Approved by	
PART WEIGHT:	Do not scale this drawing	<input checked="" type="checkbox"/> Bolt/Stud	<input checked="" type="checkbox"/> Combo stud	<input checked="" type="checkbox"/> Air inlet	<input checked="" type="checkbox"/> Threaded hole	
11,420 Kg.	All rights of this document are the property of AKTAS A.S. It can not be used copied, reproduced, made available to any third party in whole or part without written permission of AKTAS A.S.			ORDER NO: 130862		
PART NAME:	34960-01 KPP COMPLETE (AIRTECH)					