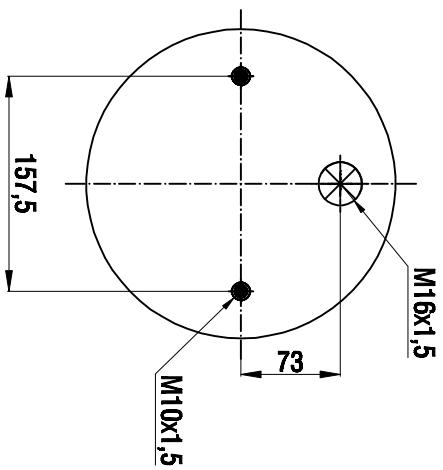
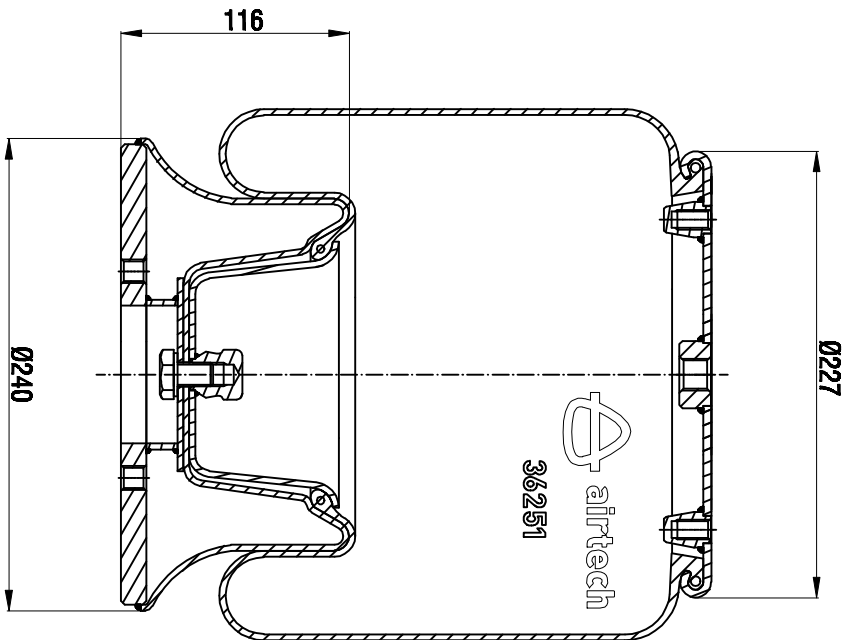
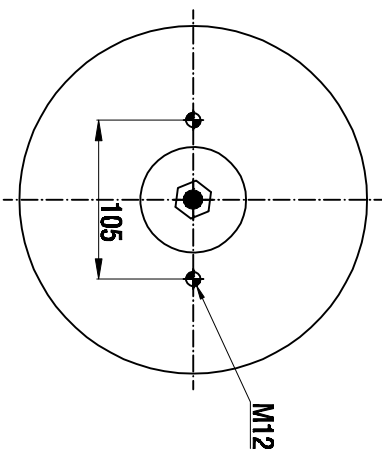


TOP VIEW



BOTTOM VIEW



Drawings are prepared for catalogue study.

0		First drawing		12.12.2012							
5		Changes		Date		Drawn by		Checked by		Approved by	
P/ART		Title drawing		Do not write		Date drawing		Checked		Approved	
V/ERB/RT:		M12		M16x1,5		M10x1,5		M12		M16x1,5	
<small>All rights of this document are the property of AIRTECH S.p.A. All trademarks and registered trademarks are used without prejudice to the rights of the respective owners.</small>											
P/ART NAME:		36251 K COMPLETE (AIRTECH)								ORDER NO:134762	
		