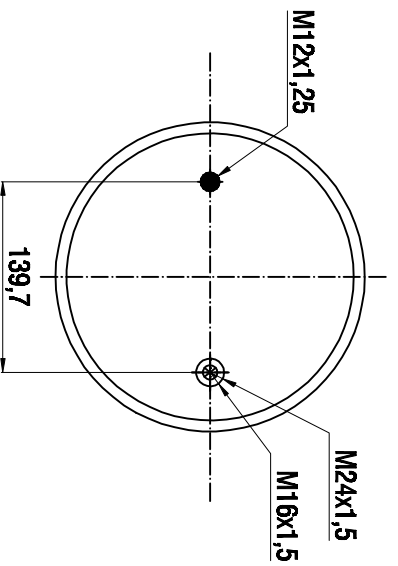
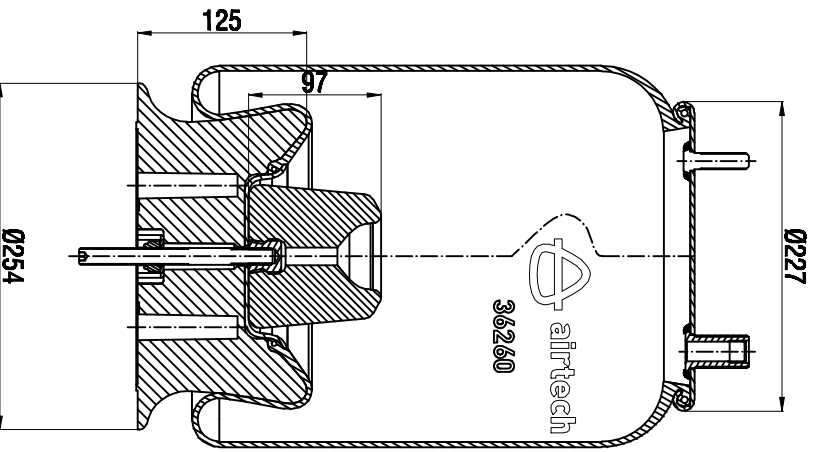
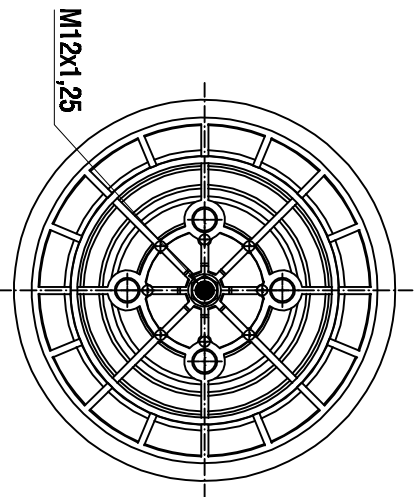



TOP VIEW



BOTTOM VIEW



Drawings are prepared for catalogue study.

0		First drawing	12.12.2012				
15	Issue	Changes	Date	Drawn by	Checked by	Approved by	
PART WEIGHT:	Do not make this drawing	● Substans	⊗ Danish steel	⊗ Air tank	⊕ Threaded hole		
...Kg		<small>All rights of this document are reserved by AIRTECH. It is not to be used, reproduced, modified, transmitted or otherwise used without the prior written permission of AIRTECH.</small>					
PART NAME:		36260 KPP COMPLETE (AIRTECH)				ORDER NO:136492	
		 aktas					