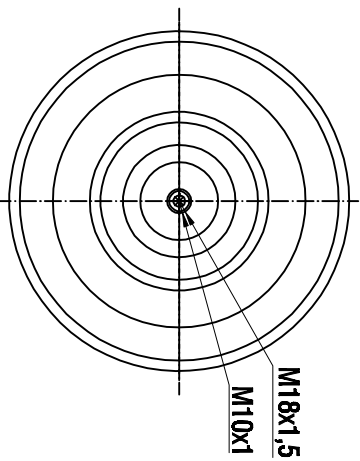
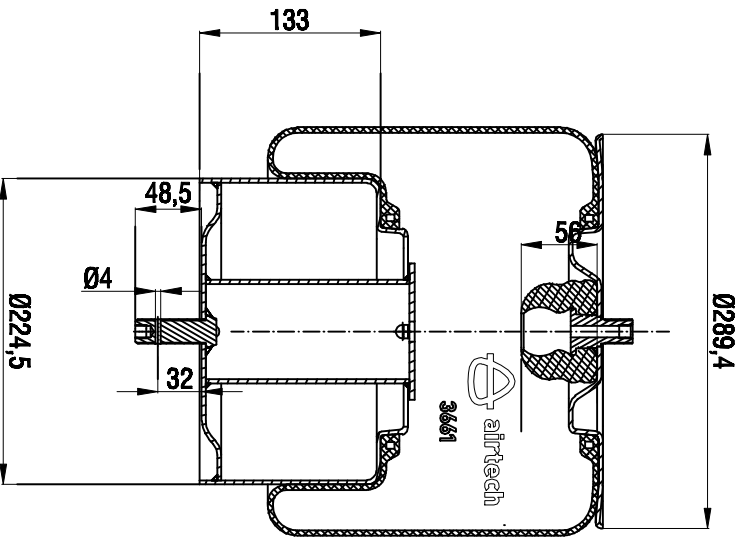
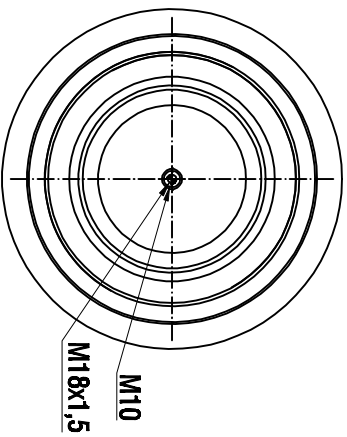



TOP VIEW



BOTTOM VIEW



**Drawings are prepared for catalogue study.**

↑					
0	0	First drawing	12.12.2012		
3	0	Changes	Date	Drawn by	Checked by
PAINT WEIGHT:	Do not create this drawing	<input checked="" type="checkbox"/> Day/round	<input checked="" type="checkbox"/> Control seal	<input checked="" type="checkbox"/> Air leak	<input checked="" type="checkbox"/> Threaded hole
<small>All rights of this document are the property of AIRTECH S.A. Incomplete and/or incorrect reproduction and/or use without the written consent of AIRTECH S.A. is strictly prohibited. AIRTECH S.A.</small>					
PART NAME		3661 K COMPLETE (AIRTECH)			
		ORDER NO:134982			