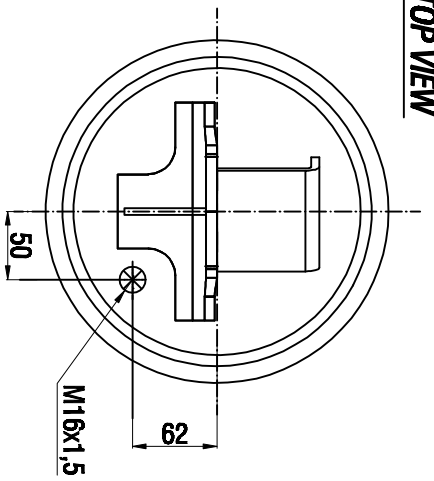
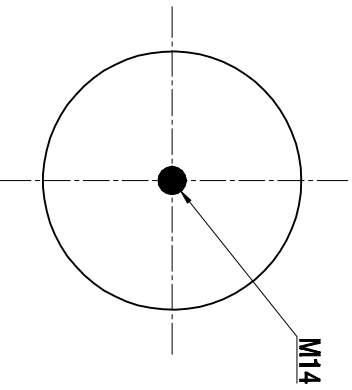


TOP VIEW



BOTTOM VIEW



Drawings are prepared for catalogue study.

1					
0		First drawing		08.03.2013	
Changes		Date		Drawn by	
Do not enable this drawing		<input checked="" type="checkbox"/> Solid/real <input checked="" type="checkbox"/> Combo solid <input checked="" type="checkbox"/> Air-tech		Checked by <input checked="" type="checkbox"/> Threaded hole	
PART WEIGHT:		<small>All rights of this document are the property of AIRTECH S.p.A. and any reproduction without written permission from AIRTECH S.p.A. is strictly prohibited.</small>		ORDER NO.:136212	
-Kg		PART NAME:		36685 K COMPLETE (AIRTECH)	