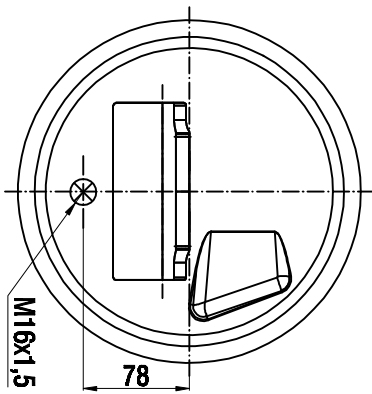
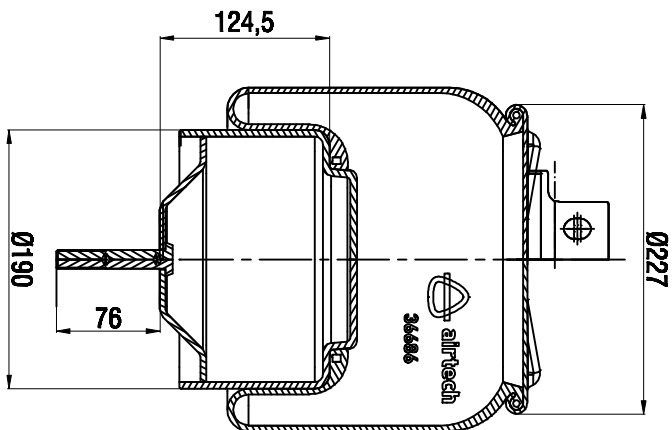
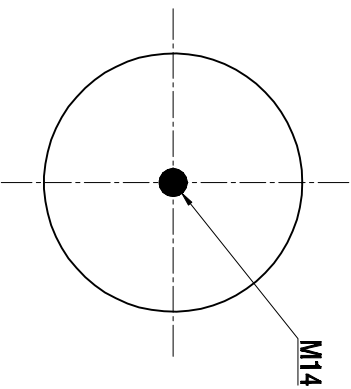


TOP VIEW



BOTTOM VIEW



Drawings are prepared for catalogue study.

№	0	First drawing	08.03.2013				
Issues		Changes	Date	Drawn by	Checked by	Approved by	
PAKT	De and made	Red/and	Circle steel	Air tech	Threaded hole		
WEIGHT:	kg	All sizes of this document are by property of AIRTECH. It is not allowed to use and copy, reproduce and modify any part of it without written permission of AIRTECH.					
PART NAME:		36686 K COMPLETE (AIRTECH)				ORDER NO.:136192	
						aktas	