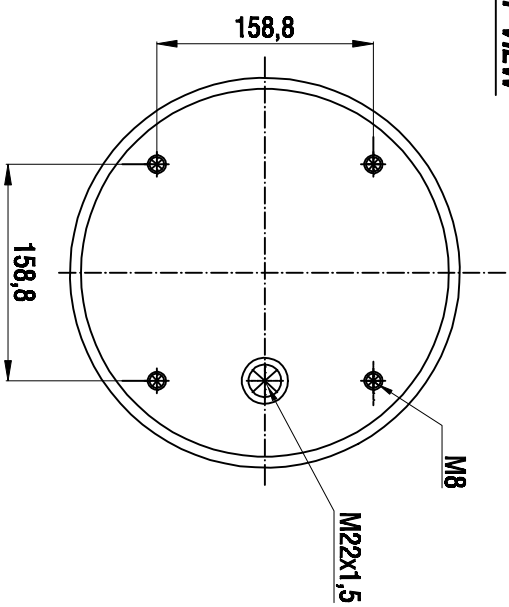
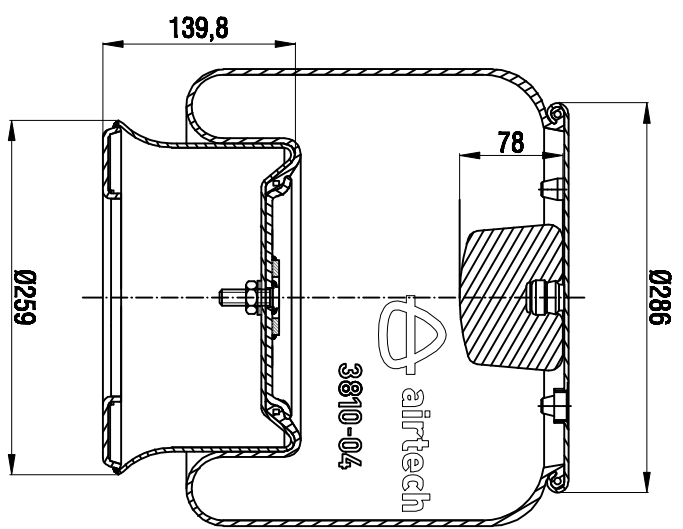
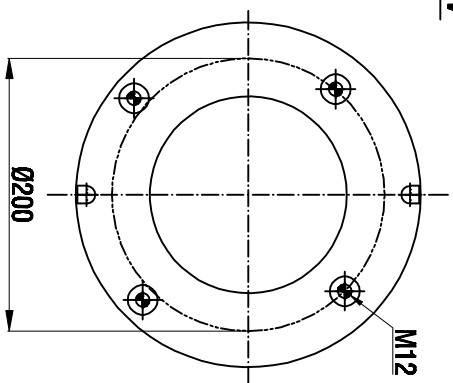


TOP VIEW



BOTTOM VIEW



Drawings are prepared for catalogue study.

Changes	Issues	Changes	Date	Drawn by	Checked by	Approved by
0	First drawing		29.09.2009			

Do not make this drawing
 Draft/Study
 Quoted detail
 Air line
 Threaded hole

All rights of this document are the property of AIRTECH S.A. & its subsidiaries.
 All rights reserved. Reproduction or distribution without written permission is prohibited.
 Virtual reality presentation of 3D FILES.

PART NAME: **3810-04 K COMPLETE (AIRTECH) (095.0336)**
 PART WEIGHT: **0 Kg**
 ORDER NO: **137272**