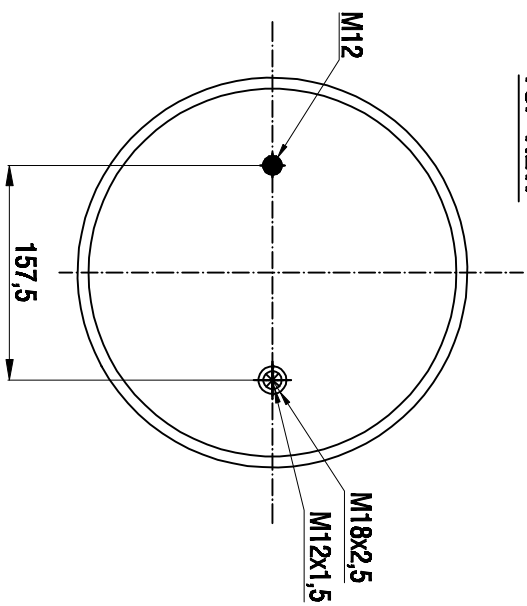
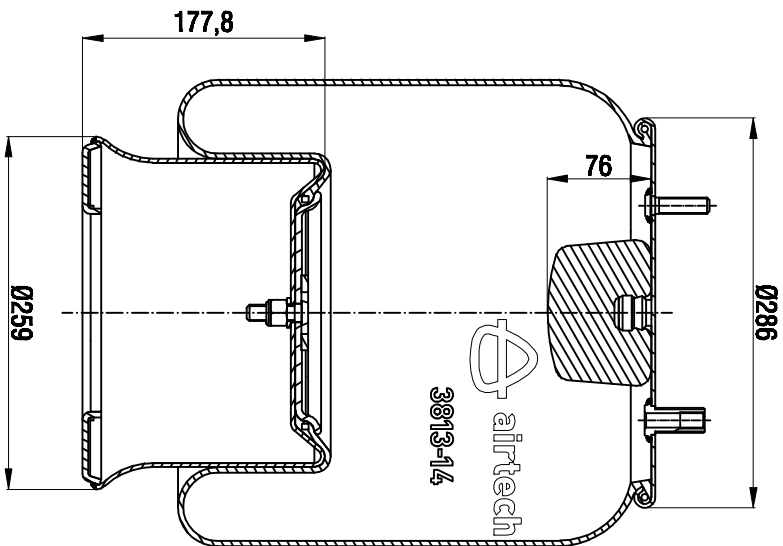
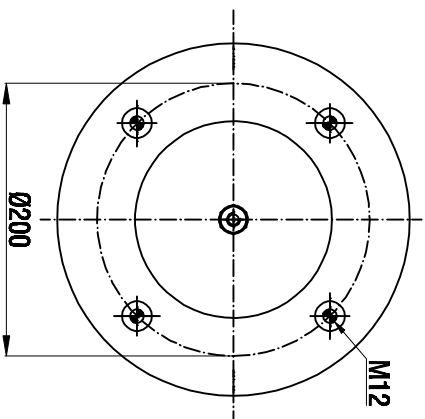


TOP VIEW



BOTTOM VIEW



Drawings are prepared for catalogue study.

REV	0	First drawing	12.12.2012				
CHANGE	Issue	Changes	Date	Drawn by	Checked by	Approved by	
PART	Do not write	Part drawing					
VERSION:							
-K6							
All rights of this document are the property of AKTAS. Any reproduction, in whole or in part, without written permission of AKTAS.							ORDER NO.: 136822
PART NAME: 3813-14 K COMPLETE (AIRTECH)(095.0337)							