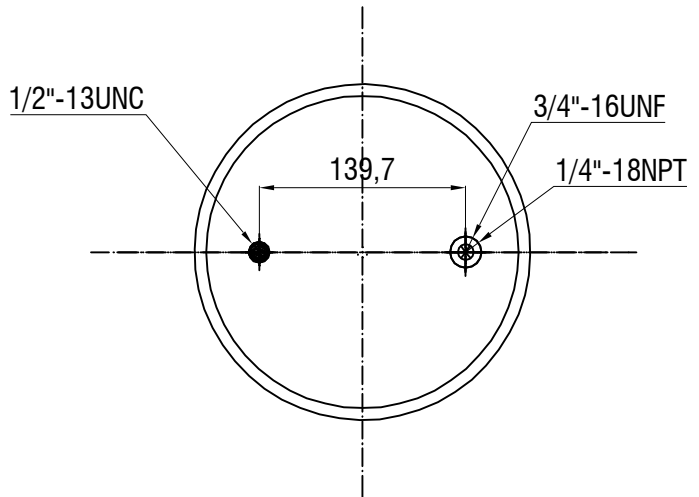
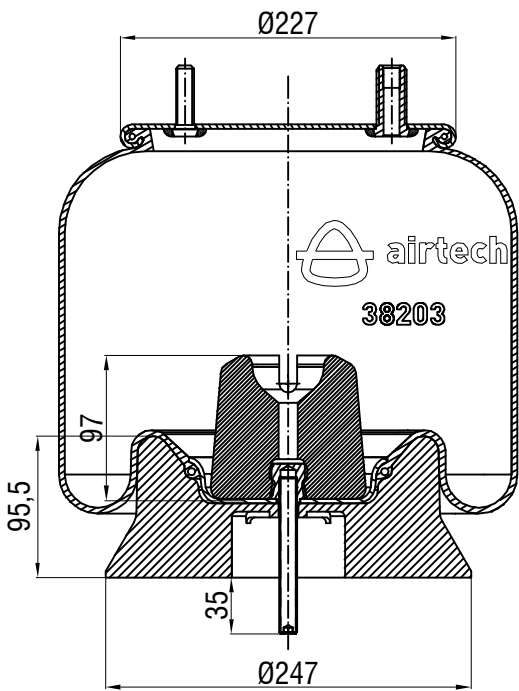
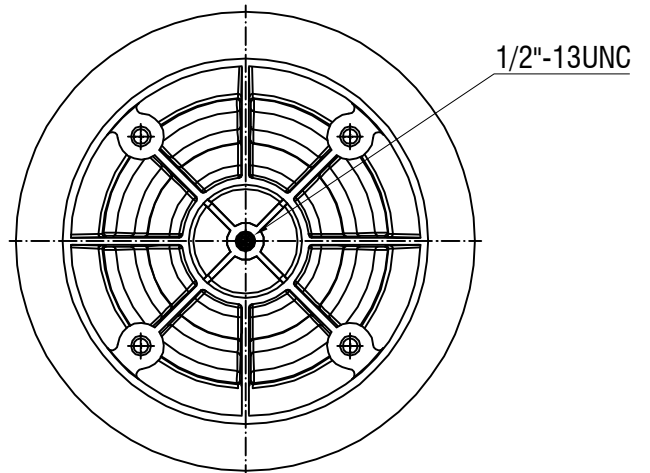


TOP VIEW



BOTTOM VIEW



Drawings are prepared for catalogue study.

Changes	0	First drawing	03.06.2011			
	Issue	Changes	Date	Drawn by	Checked by	Approved by
	PART WEIGHT:	Do not scale this drawing	<input checked="" type="checkbox"/> Bolt/Stud	<input checked="" type="checkbox"/> Combo stud	<input checked="" type="checkbox"/> Air inlet	<input checked="" type="checkbox"/> Threaded hole
.... Kg.	All rights of this document are the property of AKTAS HOLDING. It can not be used, copied, reproduced, made available to any third party in whole or part without written permission of AKTAS HOLDING.					
PART NAME: 38203 KPP COMPLETE (AIRTECH)						