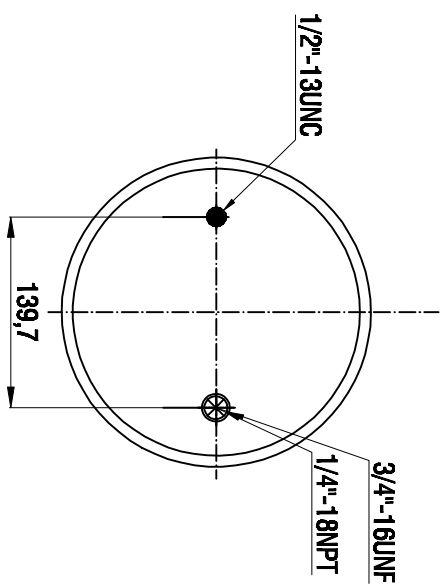
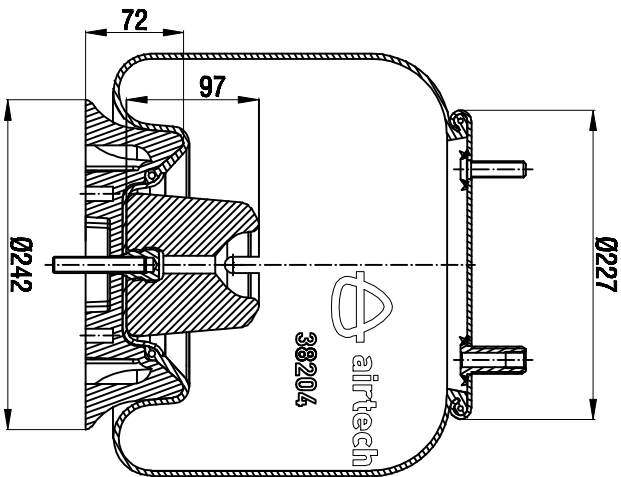
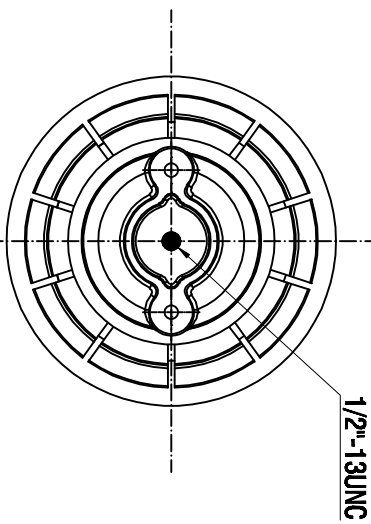


TOP VIEW



BOTTOM VIEW



Drawings are prepared for catalogue study.

0	First drawing	12.12.2012			
1	Issue	Changes	Date	Drawn by	Checked by
2	Do not write	Weld drawing			Approved by
3	WARRANT:				
4					
<p>At sign of this document the property of AIRTECH S.A. is reserved. All rights reserved. Any reproduction or use without the prior written permission of AIRTECH S.A. is prohibited.</p>					
PART NAME: 38204 KPP COMPLETE (AIRTECH)					ORDER NO:137182