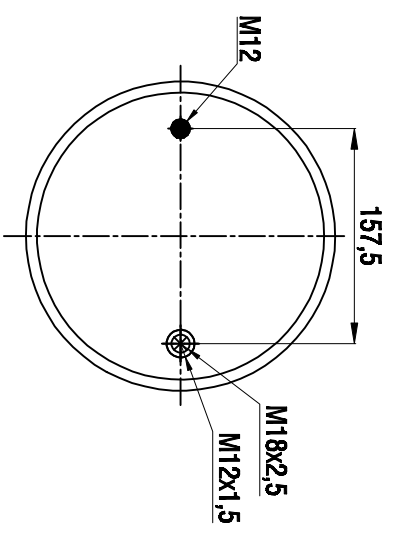
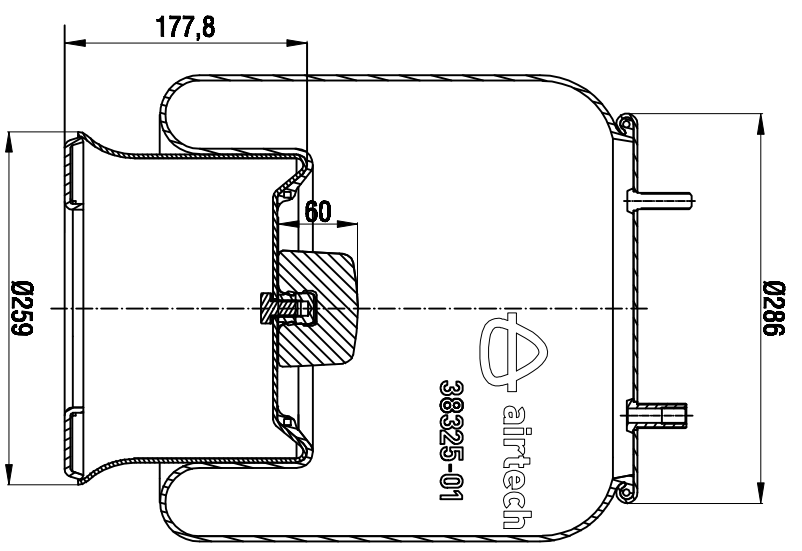
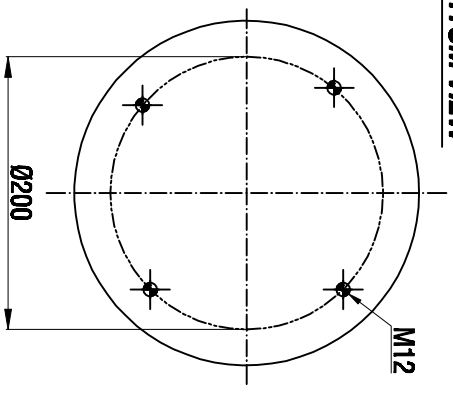


TOP VIEW



BOTTOM VIEW



Drawings are prepared for catalogue study.

Change	Issue	Changes	Date	Drawn by	Checked by	Approved by
0	First drawing		29.09.2009			

Do not scale
 Make drawing
 Draft/Build
 Control steel
 Air line
 Threaded hole

All rights of this document are the property of AIRTECH S.A. & its subsidiaries.
 All rights reserved. Reproduction or use without the prior written permission of AIRTECH S.A. is prohibited.

PART NAME: **38325-01 K COMPLETE (AIRTECH)(095.0372)**
 PART WEIGHT: **0 KG**
 ORDER NO: **137382**