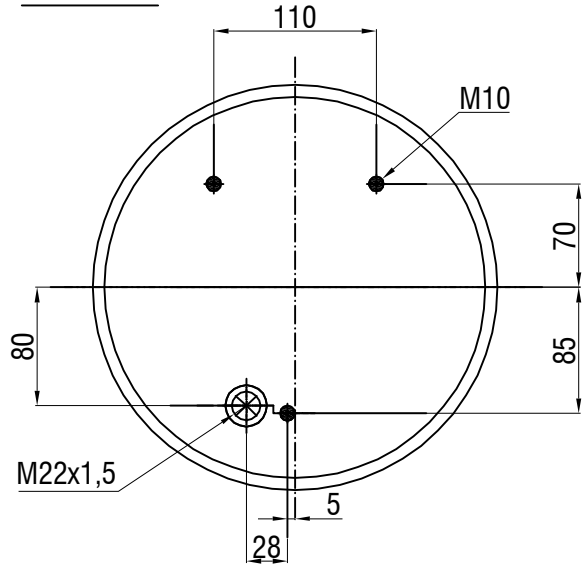
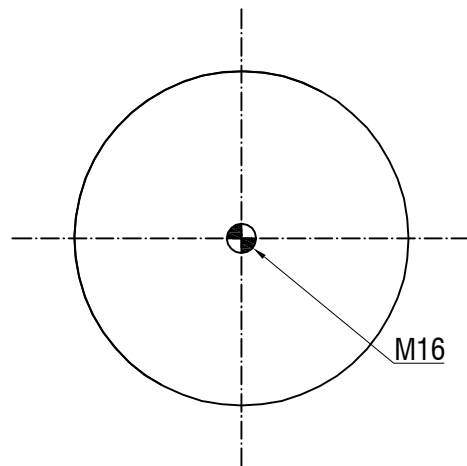


TOP VIEW



BOTTOM VIEW



Drawings are prepared for catalogue study.

↑ Changes	0	First drawing	12.12.2012			
	Issue	Changes	Date	Drawn by	Checked by	Approved by
PART WEIGHT: ...Kg.	Do not scale this drawing	● Bolt/Stud	⊗ Combo stud	⊗ Air inlet	⊕ Threaded hole	
<small>All rights of this document are the property of AKTAS A.S. It can not be used copied, reproduced, made available to any third party in whole or part without written permission of AKTAS A.S.</small>					ORDER NO:130502	
PART NAME: 3836-05 K COMPLETE (AIRTECH)						