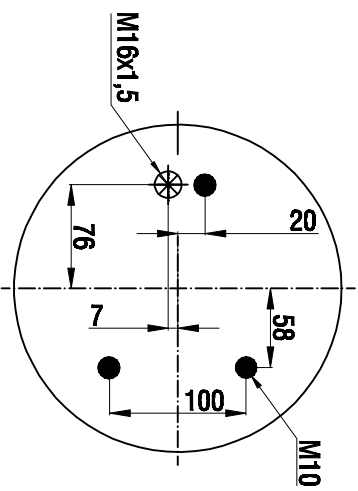
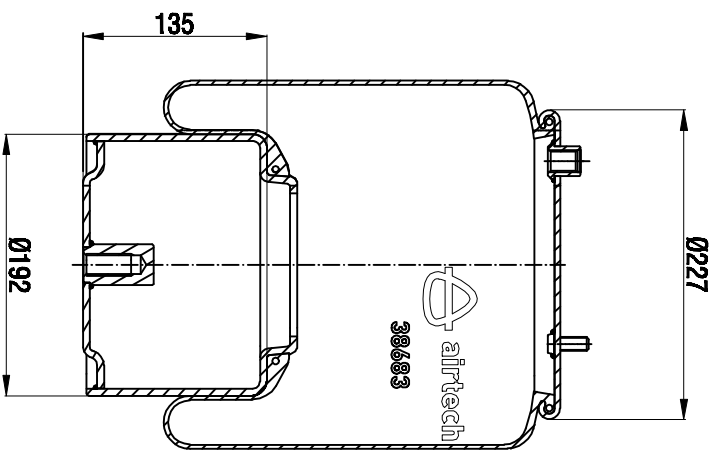
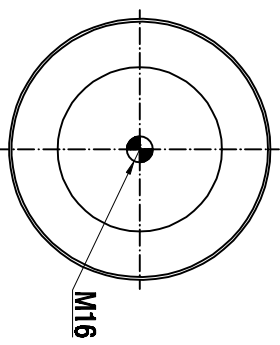


TOP VIEW



BOTTOM VIEW



Drawings are prepared for catalogue study.

1									
0	Price drawing	12.12.2012							
1	Change	Date	Drawn by	Checked by	Approved by				
1	Do not make this drawing	<input checked="" type="checkbox"/> Draft	<input checked="" type="checkbox"/> Change sheet	<input checked="" type="checkbox"/> Air task	<input checked="" type="checkbox"/> Threaded hole				
<small>All rights of this document are the property of AIRTECH S.A. No reproduction, modification, distribution or communication is permitted without written permission of AIRTECH S.A.</small>									
PART NAME: 38683 K COMPLETE (AIRTECH)						ORDER NO:134782			
airtech									