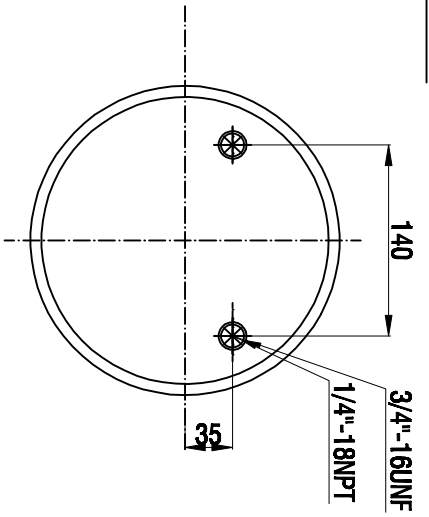
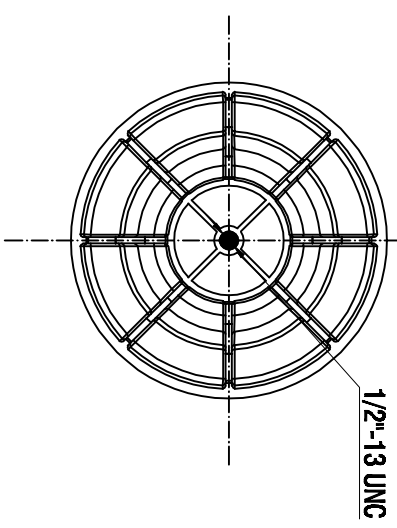


TOP VIEW



BOTTOM VIEW



Drawings are prepared for catalogue study.

1								
0	Final drawing	12.12.2012						
Changes		Date	Drawn by	Checked by	Approved by			
Do not write this drawing	<input checked="" type="checkbox"/> Initial <input checked="" type="checkbox"/> Complete read <input checked="" type="checkbox"/> Air file <input checked="" type="checkbox"/> Threaded hole							
<small>All rights of the document are the property of AIRTECH S.A. No part of this document may be reproduced without the written permission of AIRTECH S.A.</small>						ORDER NO.:137072		
PART NAME: 38709 KPP COMPLETE (AIRTECH)								