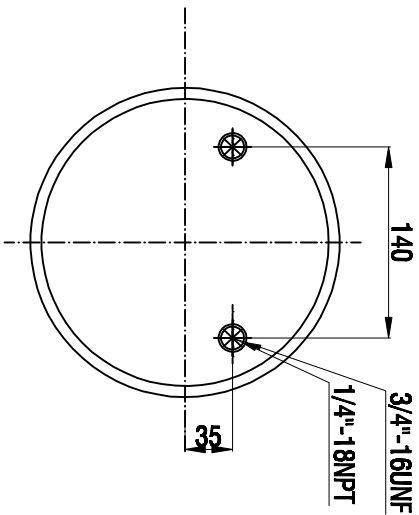
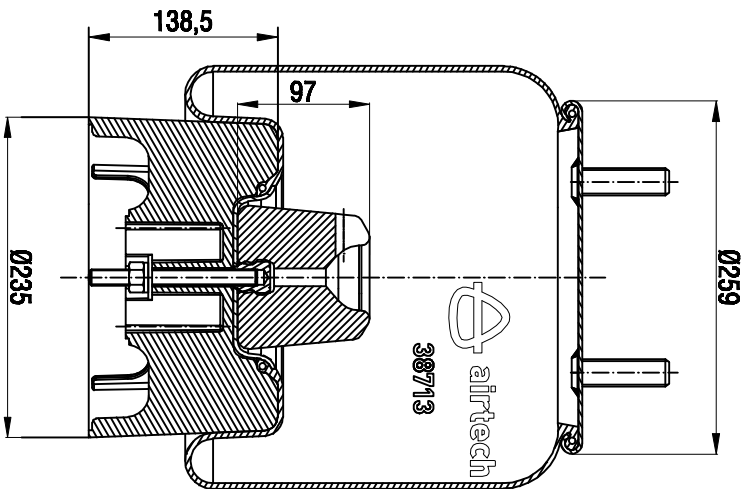
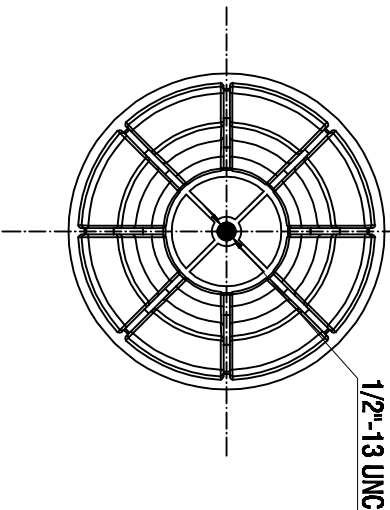


TOP VIEW



BOTTOM VIEW



Drawings are prepared for catalogue study.

| | | | | | |
|---|---------------|--|--|--|--|
| ↑ | | | | | |
| 0 | First drawing | 12.12.2012 | | | |
| 1 | Change | | Drawn by | Checked by | Approved by |
| PLANT Drawn and checked by drawing | | <input checked="" type="checkbox"/> SolidSteel | <input checked="" type="checkbox"/> Camilo steel | <input checked="" type="checkbox"/> Air tech | <input checked="" type="checkbox"/> Theodor lobe |
| All rights of this document are the property of AIRTECH S.A. Reservados todos los derechos, quedando permitida la reproducción parcial o total para fines de información. | | | | | |
| WEIGHT: ...Kg | | | | ORDER NO:137082 | |
| PART NAME 38713 KPP COMPLETE (AIRTECH) | | | | | |