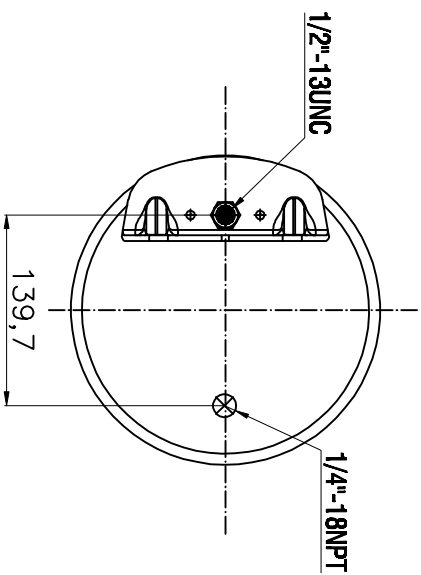
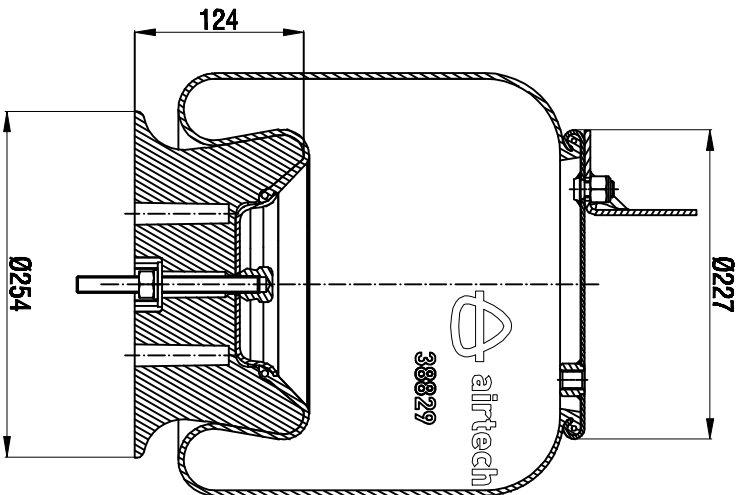
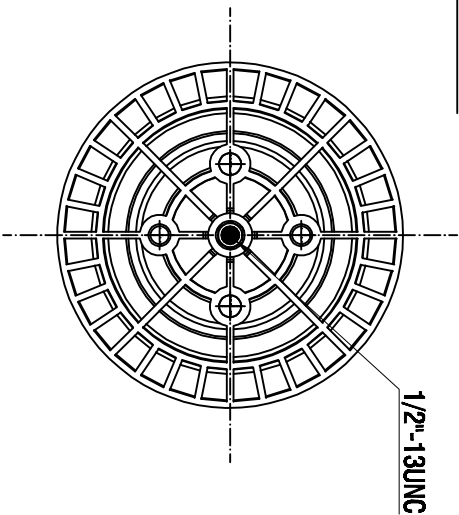


TOP VIEW



BOTTOM VIEW



Drawings are prepared for catalogue study.

Change	Reason	Date	Drawn by	Checked by	Approved by
0	First drawing	12.12.2012			

Do not scale this drawing <input checked="" type="checkbox"/> Backward <input checked="" type="checkbox"/> Combo steel <input checked="" type="checkbox"/> Air risk	All rights of this document are the property of AIRTECH. Any use without explicit approval is strictly prohibited.
--	--

PART NAME 38829 KPP COMPLETE (AIRTECH)	ORDER NO.:137212
--	------------------

--